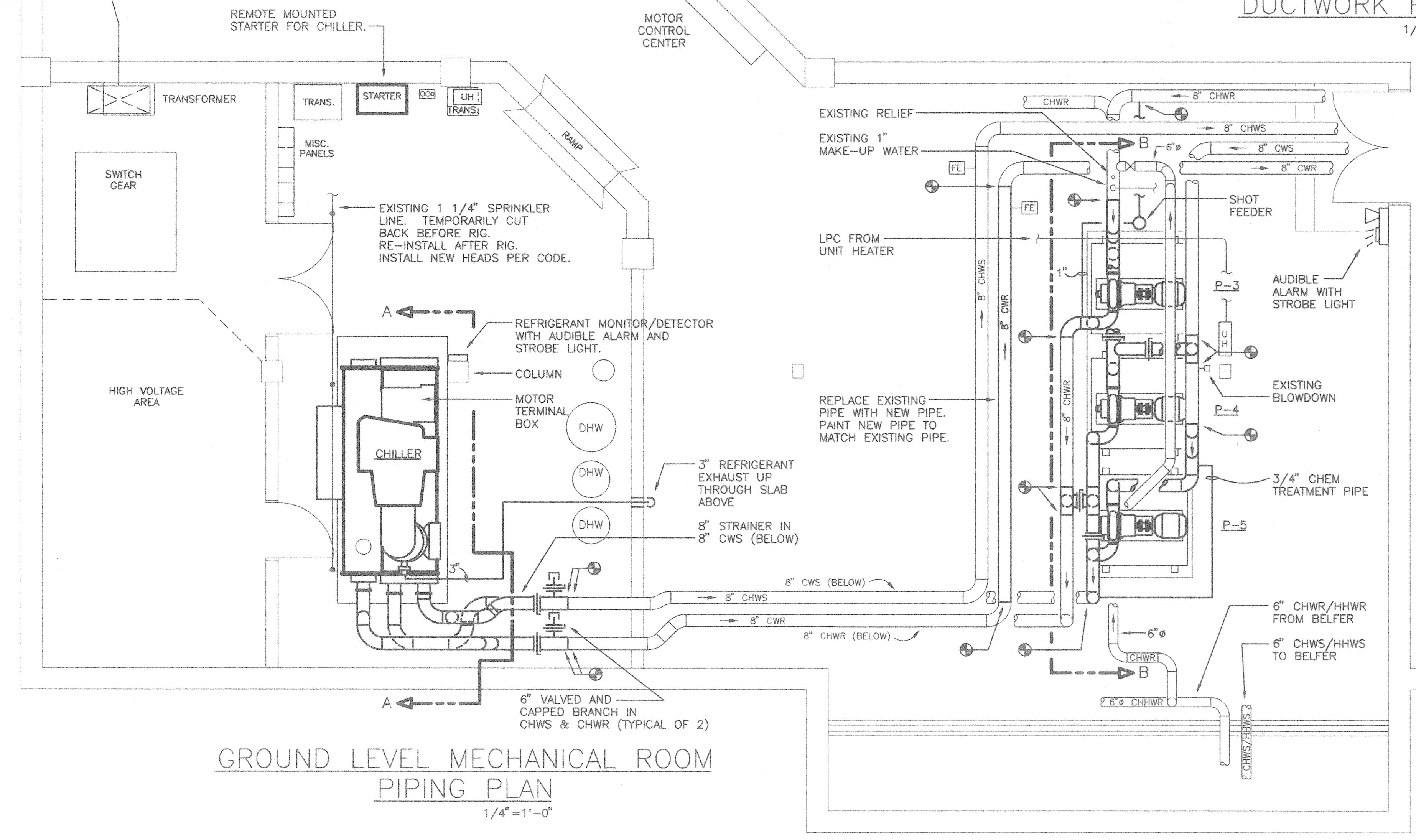
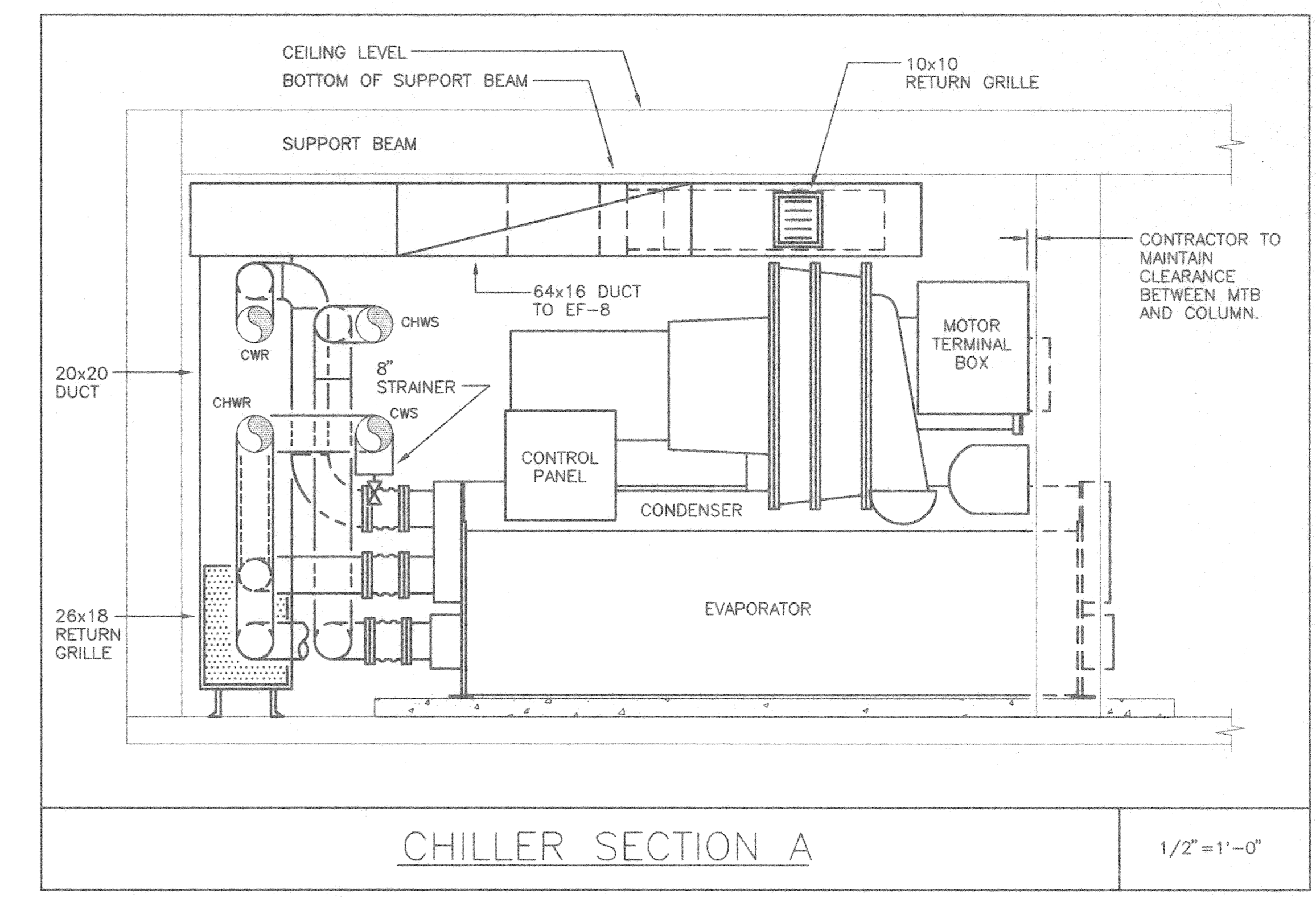


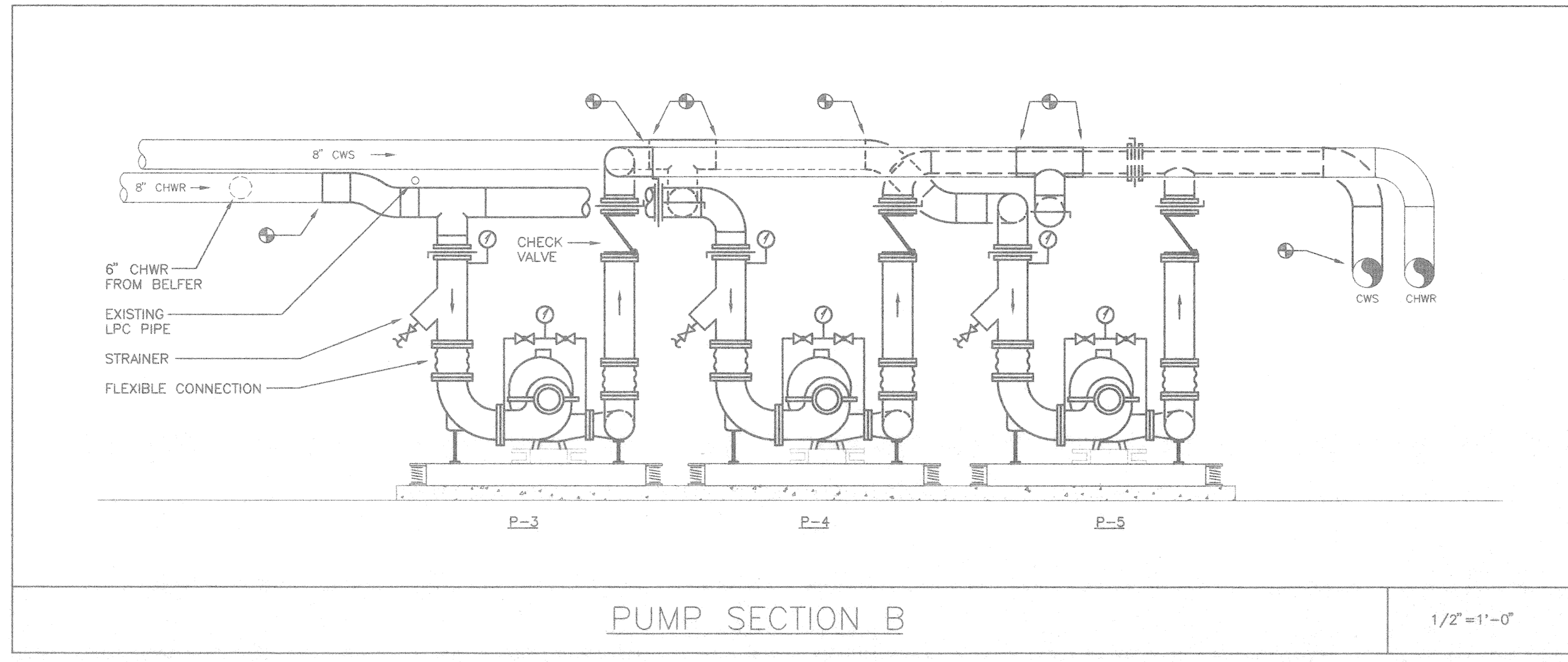
GROUND LEVEL MECHANICAL ROOM  
DUCTWORK PLAN  
1/4" = 1'-0"



GROUND LEVEL MECHANICAL ROOM  
PIPING PLAN  
1/4" = 1'-0"



CHILLER SECTION A  
1/2" = 1'-0"



PUMP SECTION B  
1/2" = 1'-0"

NOTE:  
ALL PIPING SHOWN IS 8",  
UNLESS OTHERWISE NOTED.

NUMBER	REVISION	DATE
1	AS-BUILT RECORD DWGS.	22 MAY 95

Engineered Solutions Inc.  
74 Crescent Road, Needham, MA 02594 (617) 449-7350 Fax 449-7580

THE JFK SCHOOL  
OF GOVERNMENT  
HARVARD UNIVERSITY  
CHILLER PLANT RENOVATION  
LITTAUER CENTER/BELFER ADDITION

Drawing Title:  
GROUND LEVEL  
MECHANICAL ROOM HVAC

SCALE: AS SHOWN DRAWN BY: MF  
DATE: 16 DEC 94 CHECKED BY: EQ

REVIEWED BY: EQ  
DRAWING NAME

M1