

FOOTING AND COLUMN SCHEDULE

COLUMN TYPE	(A)	(B)	(C)	(D)	(E)
ROOF					
7TH LEVEL	W8x24	W8x24	W8x26		W8x24
6TH LEVEL	W8x24	W8x24	W8x35	W8x24	W8x24
5TH LEVEL	W8x24	W8x24	W8x35	W8x24	W8x24
4TH LEVEL	W8x24	W8x31	W8x48	W8x24	W8x24
3RD LEVEL	W8x24	W8x31	W8x48	W8x24	W8x24
2ND LEVEL	W8x26	W8x35	W8x58	W8x24	8"φ
1ST LEVEL	W8x26	W8x35	W8x58	W8x24	8"φ
BASE R. SIZE	10" x 10"	10" x 10"	10" x 10"	10" x 10"	EXISTING
FOOTING SIZE AND REINF (UNO ON PLAN)	5'-0" x 5'-0" x 1'-0" 5 #5 EW BOT	6'-0" x 6'-0" x 1'-2" 7 #5 EW BOT	7'-6" x 7'-6" x 1'-6" 7 #6 EW BOT	4'-0" x 4'-0" x 1'-0" 4 #5 EW BOT	5'-0" x 5'-0" x 1'-0" 5 #5 EW BOT

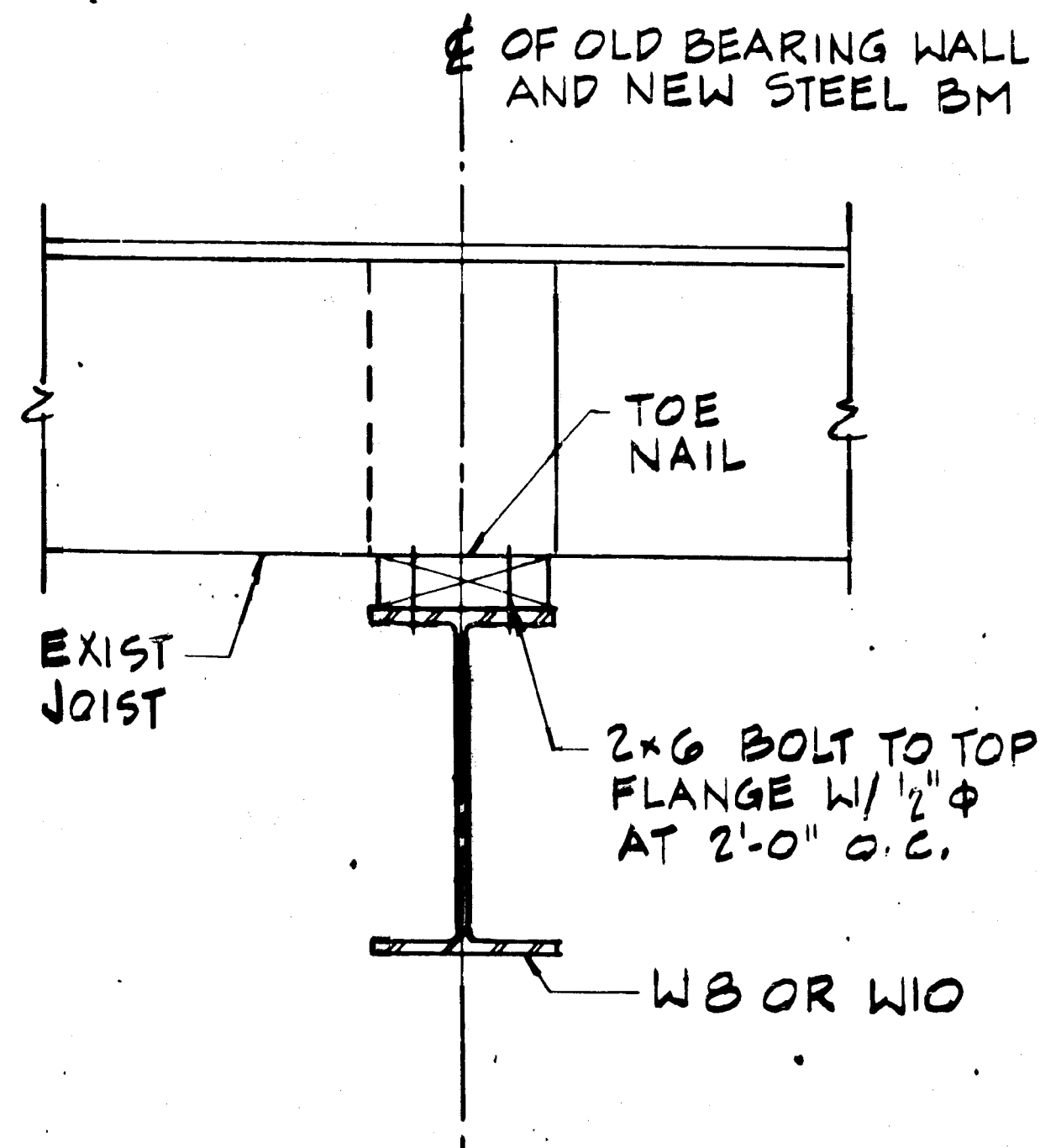
2'-6" ABOVE FIN. FL.
BOLTED SPlice LOCATION
AT EACH LEVEL-TYP

PROCEDURE FOR INSTALLING NEW BEAMS SUPPORTING EXISTING JOISTS.

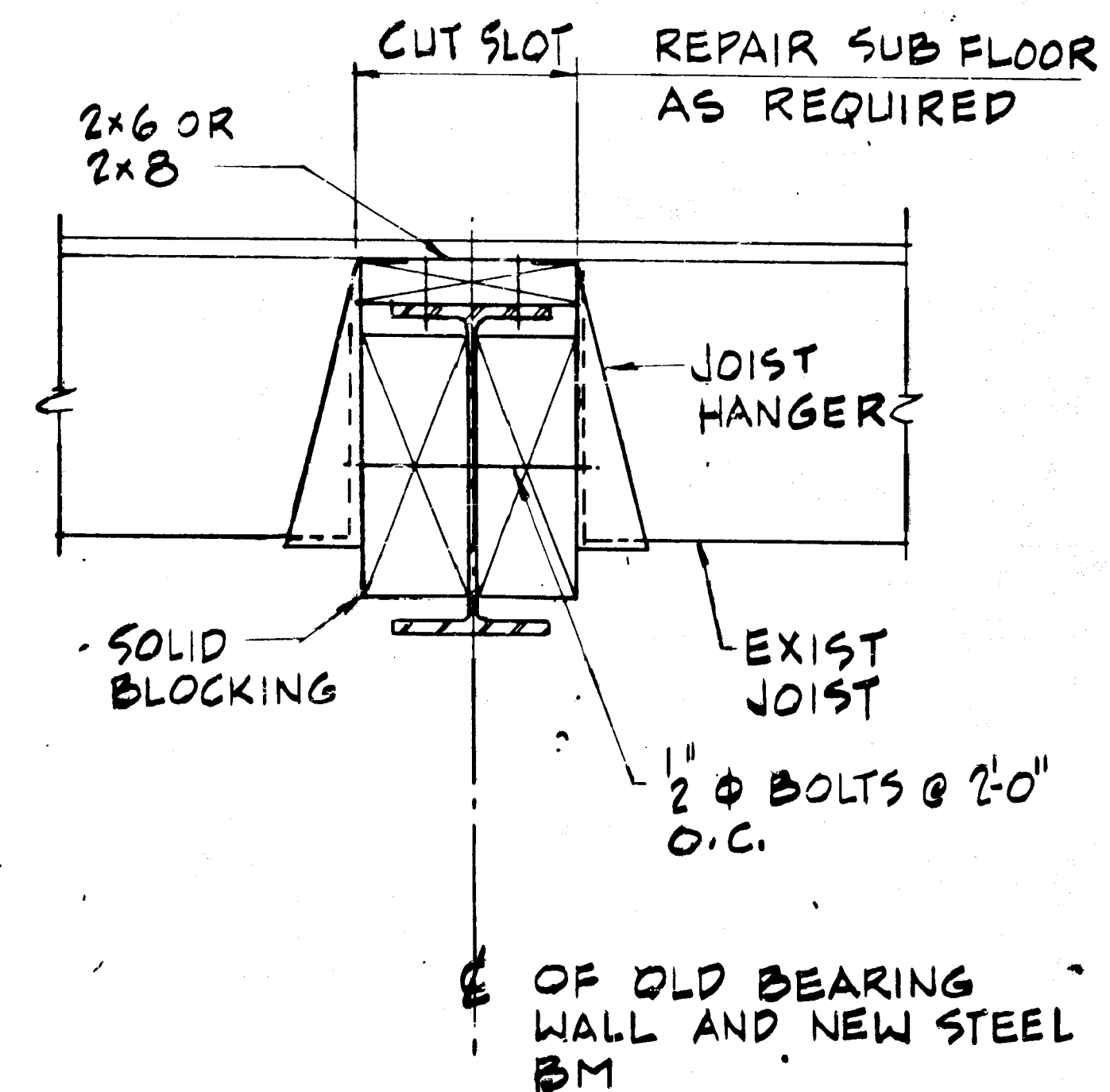
- SHORE JOISTS ON BOTH SIDES OF THE BEARING WALLS FROM FIRST LEVEL THROUGH ROOF. SHORE AT LEVEL 1 TO ALLOW EXISTING COLUMNS TO BE REMOVED AS REQUIRED FOR NEW FOOTING INSTALLATION.
- INSTALL COLUMN FOOTINGS AND COLUMNS.
- LATERALLY BRACE COLUMNS IN TWO DIRECTIONS AT EACH FLOOR.
- REMOVE STUD BEARING WALLS.
- INSTALL STEEL BEAM BELOW JOISTS (DET. A), OR RECESSED (DET. B).

ALTERNATE PROCEDURE FOR INSTALLING NEW BEAMS AT EXISTING JOISTS.

- PROVIDE SHORES AT LEVEL 1 TO ALLOW EXISTING COLUMNS TO BE REMOVED AS REQUIRED FOR NEW FOOTING INSTALLATION.
- INSTALL NEW FOOTINGS AND COLUMNS UP TO ROOF.
- LATERALLY BRACE COLUMNS IN TWO DIRECTIONS AT EACH FLOOR.
- SHORE ROOF JOISTS AND UPPERMOST FLOOR JOISTS EACH SIDE OF STUD BEARING WALLS DOWN TO THE FLOOR BELOW.
- REMOVE STUD BEARING WALLS ON UPPERMOST FLOOR ONLY AND INSTALL NEW STEEL BEAM AS DETAIL A OR B.
- REPEAT STEPS 4 AND 5 WORKING PROGRESSIVELY DOWNWARDS, FLOOR BY FLOOR KEEPING 2 LEVELS OF SHORING IN PLACE TO SUPPORT THE FLOOR WHERE NEW BEAMS ARE BEING INSTALLED.



DETAIL A
1/2" = 1'-0"



DETAIL B
1/2" = 1'-0"

HARVARD UNIVERSITY



THE DIVISION
OF
CONTINUING EDUCATION

BENJAMIN THOMPSON & ASSOCIATES, INC.
ARCHITECTURE, PLANNING, AND URBANISM
ONE FROST STREET
CAMBRIDGE, MA 02142
(617) 495-4000 FAX (617) 495-4000

Cosentini Consulting Engineers
44 Brattle Street
Cambridge, Massachusetts 02138
(617) 576-3830 FAX (617) 878-6647

LeMessurier Consultants
1033 Massachusetts Avenue
Cambridge, Massachusetts 02138
(617) 888-1200 FAX (617) 881-7620

RENOVATIONS
TO
51 BRATTLE STREET

NO.	DATE	DESCRIPTION
1		TYP JOIST DETAILS AND FTG/COL SCHEDULE
2	RM	SH JAC
3	10-31-90	2-6-90

57