

KENNEDY
SCHOOL of
GOVERNMENT

HARVARD
UNIVERSITY

CSIA
RENOVATION

PHASE 2

SCALE: AS NOTED

JOB NO: 9628

DRAWN: T. O.C.

DATE: 2/10/97

FILE NAME: X:\9628\
PHASE-2\A1-2

REVISIONS:
ADDENDUM #1
2/21/97

PARTIAL FOURTH
FLOOR PLAN,
THIRD FLOOR
PLAN DETAILS &
FINISH SCHEDULE

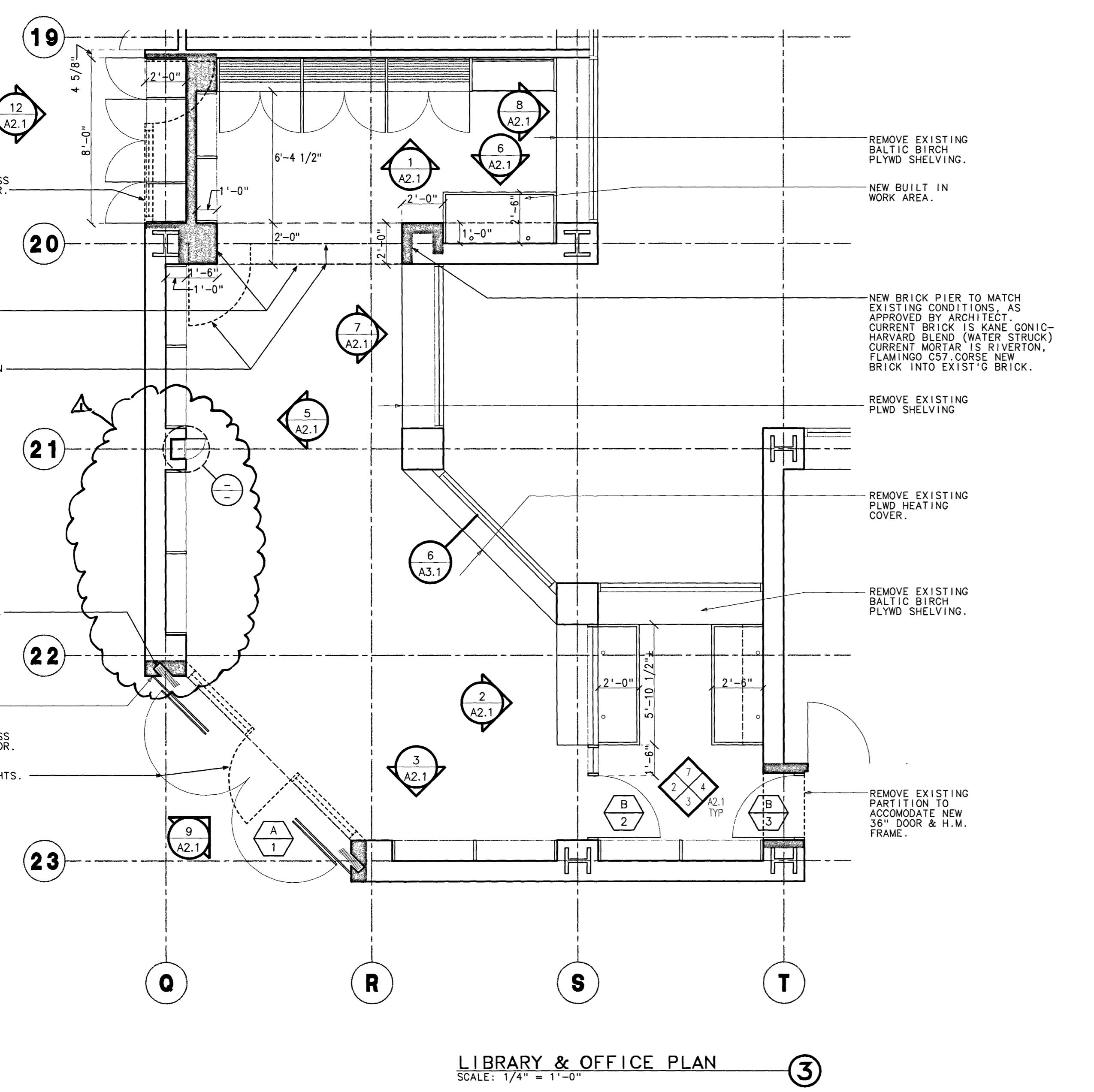
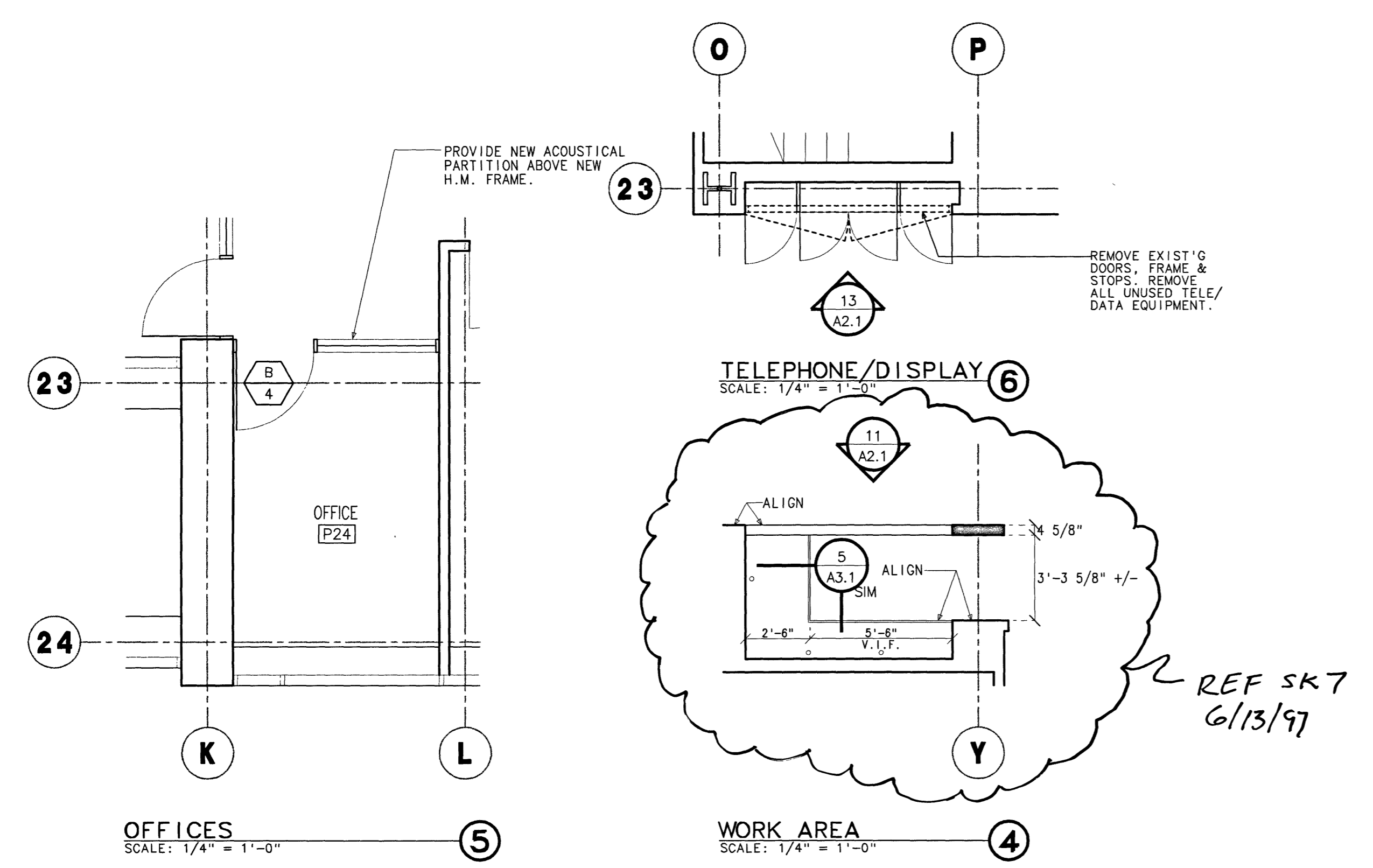
ARCHITECTURAL
RESOURCES
CAMBRIDGE INC
140 MOUNT AUBURN ST
CAMBRIDGE MA 02138
TEL. (617) 547-2200
FAX. (617) 547-7222

A1.2

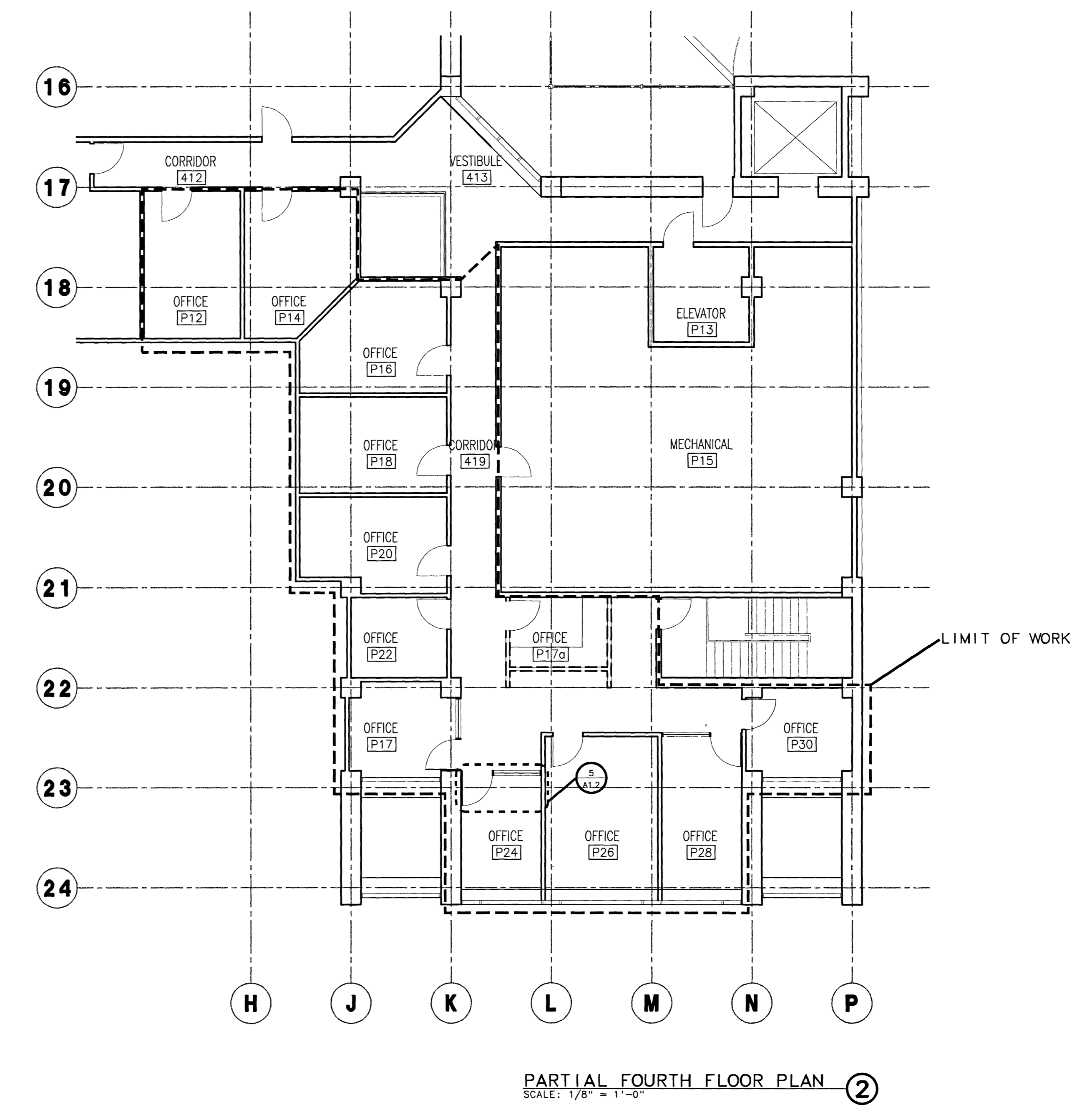
ROOM NO:	ROOM NAME	FLOOR	BASE	WALLS								CEILING				NOTES			
				MATERIAL				FINISH				MATERIAL		FINISH					
				NORTH	EAST	SOUTH	WEST	NORTH	EAST	SOUTH	WEST	NORTH	EAST	SOUTH	WEST				
P12	OFFICE	EXIST	EXIST																
P13	ELEVATOR	EXISTING TO REMAIN	EXIST																
P14	OFFICE	EXIST	EXIST																
P15	MECHANICAL	EXISTING TO REMAIN	EXIST																
P16	OFFICE	EXIST	EXIST																
P18	OFFICE	EXIST	EXIST																
P17	OFFICE	EXIST	EXIST																2
P17A	OFFICE	EXISTING TO REMAIN	EXIST																
P20	OFFICE	EXIST	EXIST																
P22	OFFICE	EXIST	EXIST																
P24	OFFICE	EXIST	EXIST																
P26	OFFICE	EXIST	EXIST																
P28	OFFICE	EXIST	EXIST																2
P30	OFFICE	EXIST	EXIST																
412	CORRIDOR	EXIST	EXIST																
413	VESTIBULE	EXIST	EXIST																
419	CORRIDOR	EXIST	EXIST																

- FINISH NOTES:
- REPAIR & PAINT EXISTING GWB SOFFITS/BEAMS AS REQUIRED
 - REGLAZE EXISTING SIDELIGHT W/ SANDBLASTED GLASS DESIGN BY SKYLINE DESIGN.

FOURTH FLOOR FINISH SCHEDULE
SCALE: N.A.



LIBRARY & OFFICE PLAN
SCALE: 1/4" = 1'-0"



PARTIAL FOURTH FLOOR PLAN
SCALE: 1/8" = 1'-0"