

KENNEDY SCHOOL of GOVERNMENT

HARVARD UNIVERSITY

ACCESSIBILITY PROJECT RENOVATION

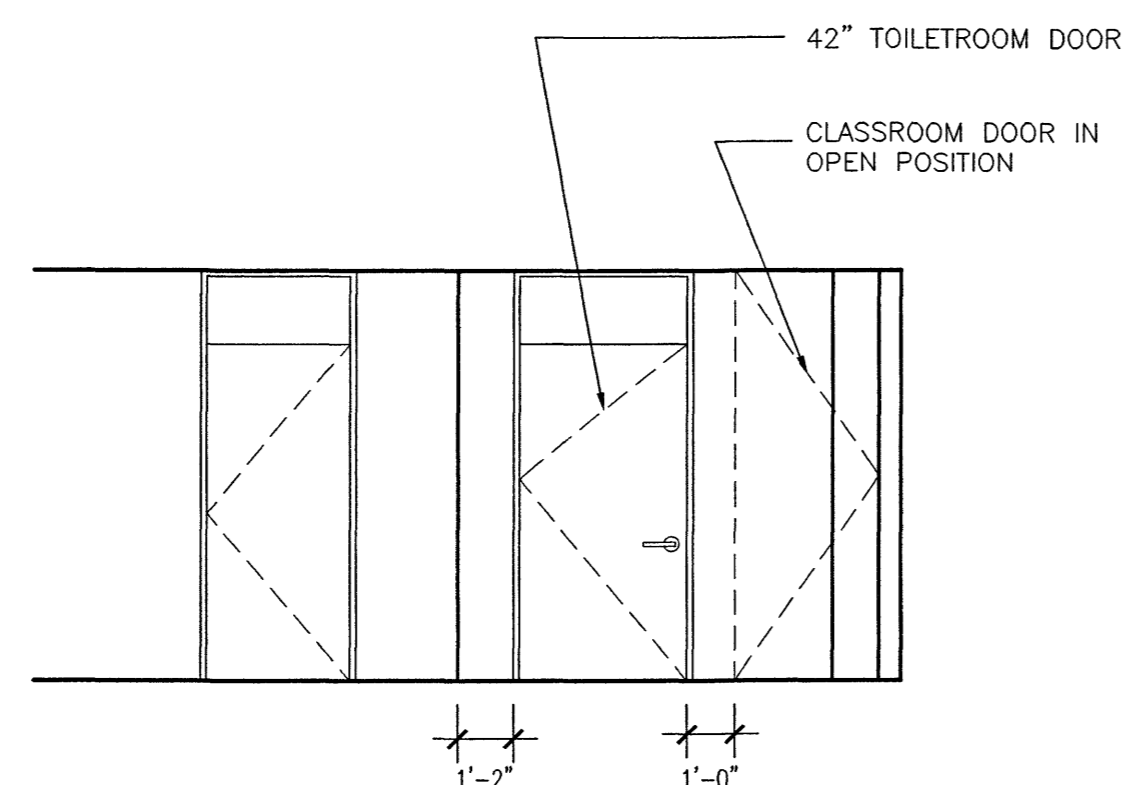
SCALE: 1/4" = 1'-0" UNO
JOB NO: 0214
DATE: 06/28/02
DRAWN: SF
FILE NAME: ###
REVISIONS: ###

NO. DESCRIPTION DATE

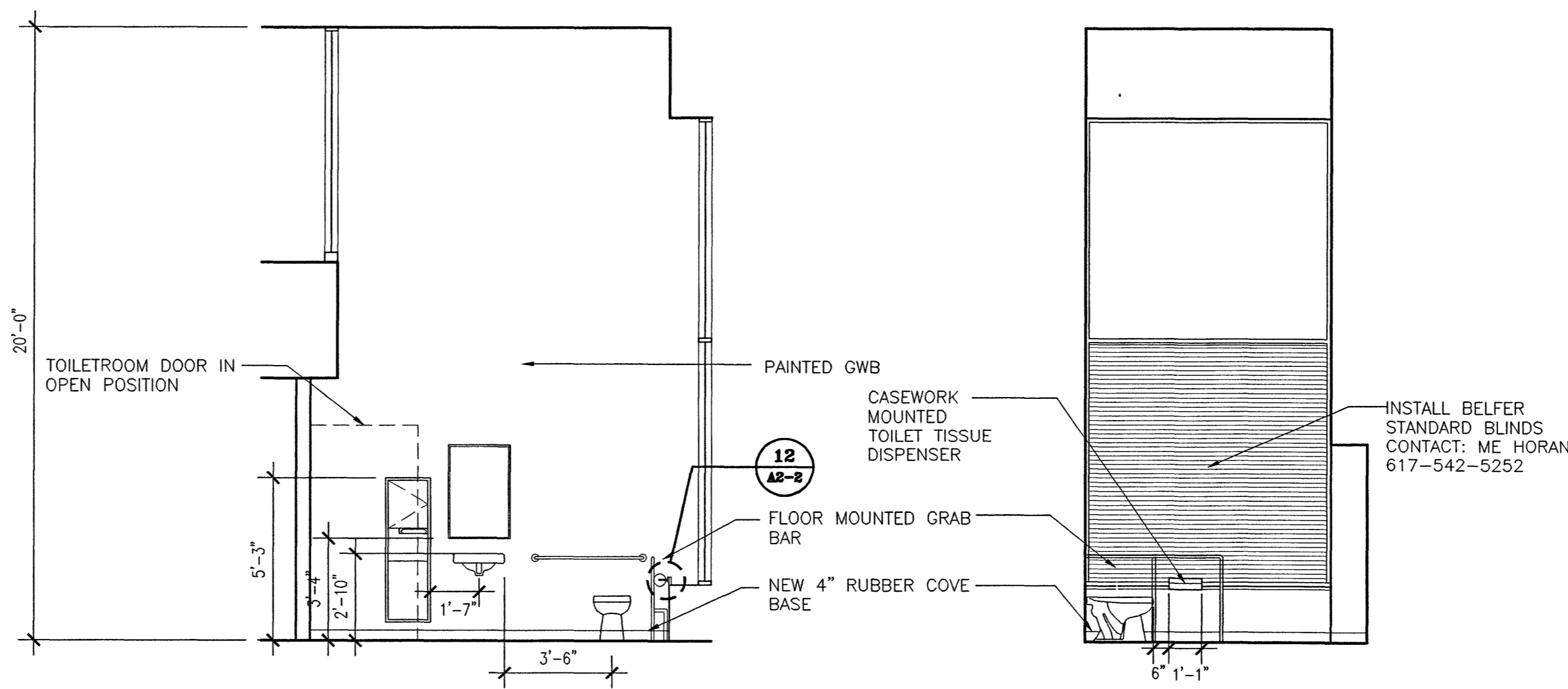
BELFER ELEVATIONS & DETAILS

ARCHITECTURAL RESOURCES CAMBRIDGE INC
140 MOUNT AUBURN ST
CAMBRIDGE MA 02138
TEL. (617) 547-2200
FAX. (617) 547-7222

A-2.02

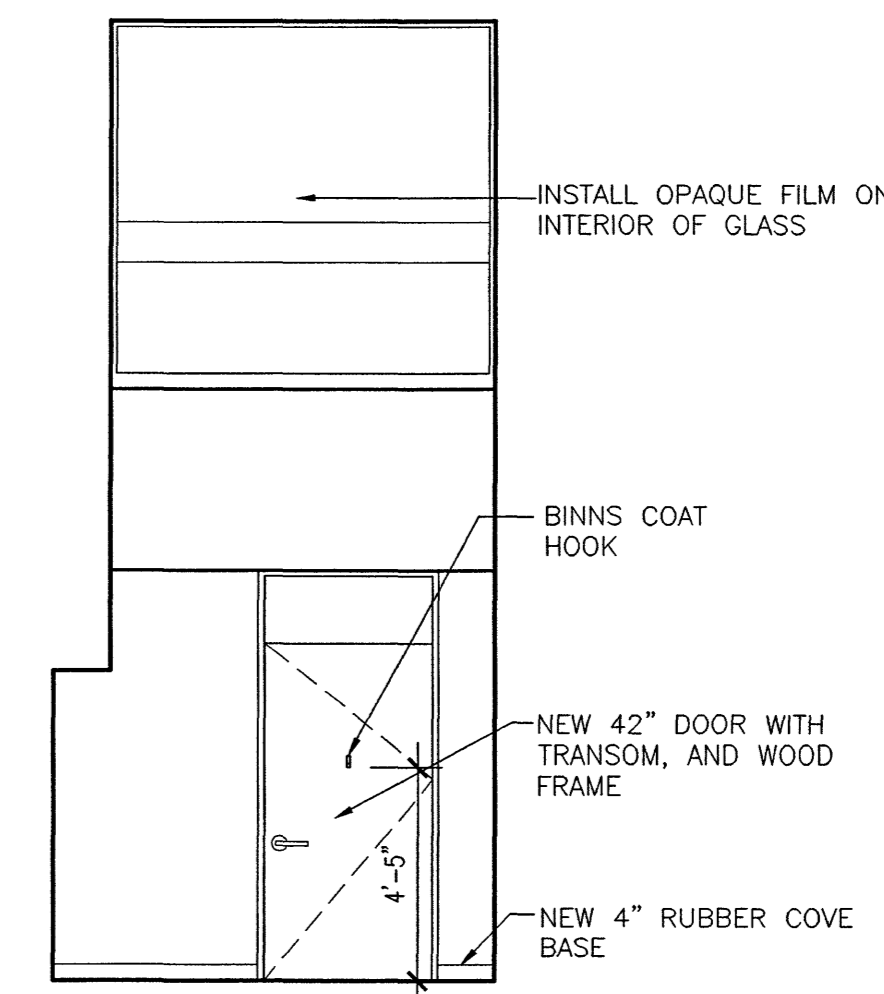


CORRIDOR ELEVATION 4

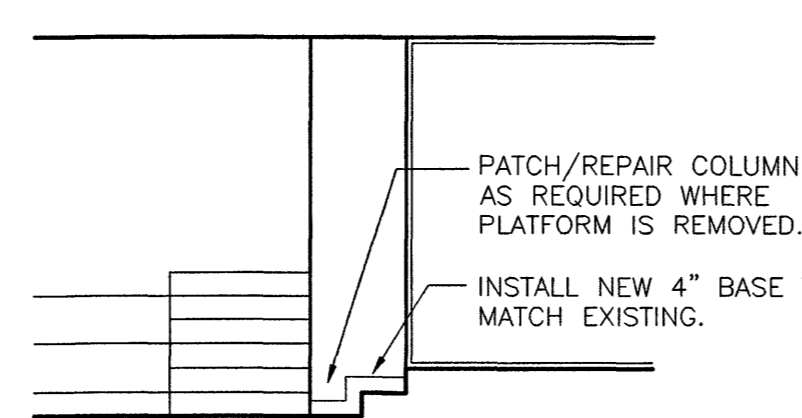


TEMPORARY TOILETROOM 224 ELEVATION 3

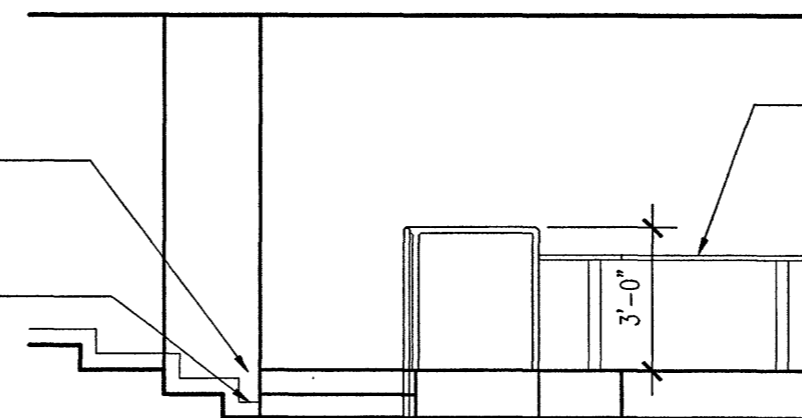
TEMPORARY TOILETROOM 224 ELEVATION 2



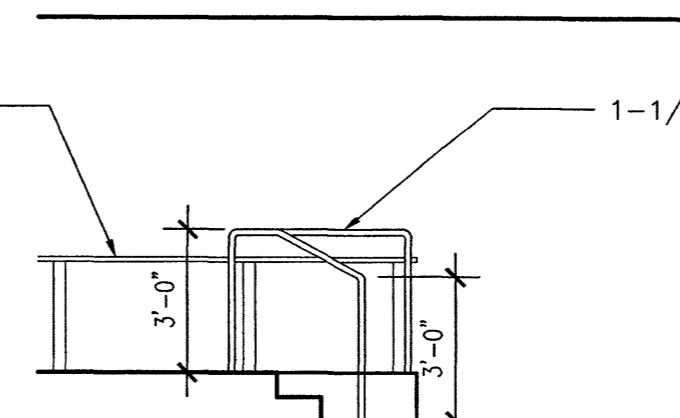
TEMPORARY TOILETROOM 224 ELEVATION 1



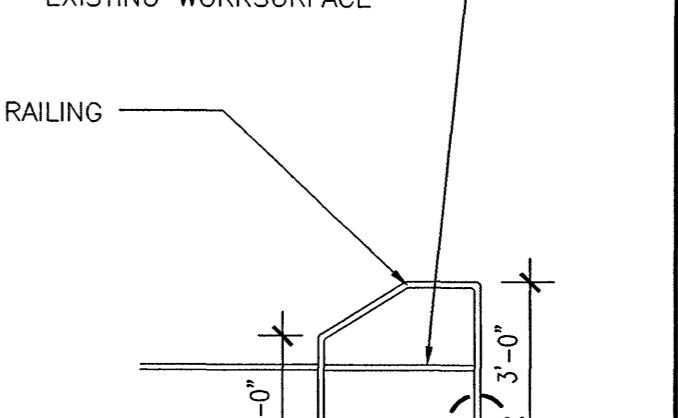
STARR ELEVATION 8



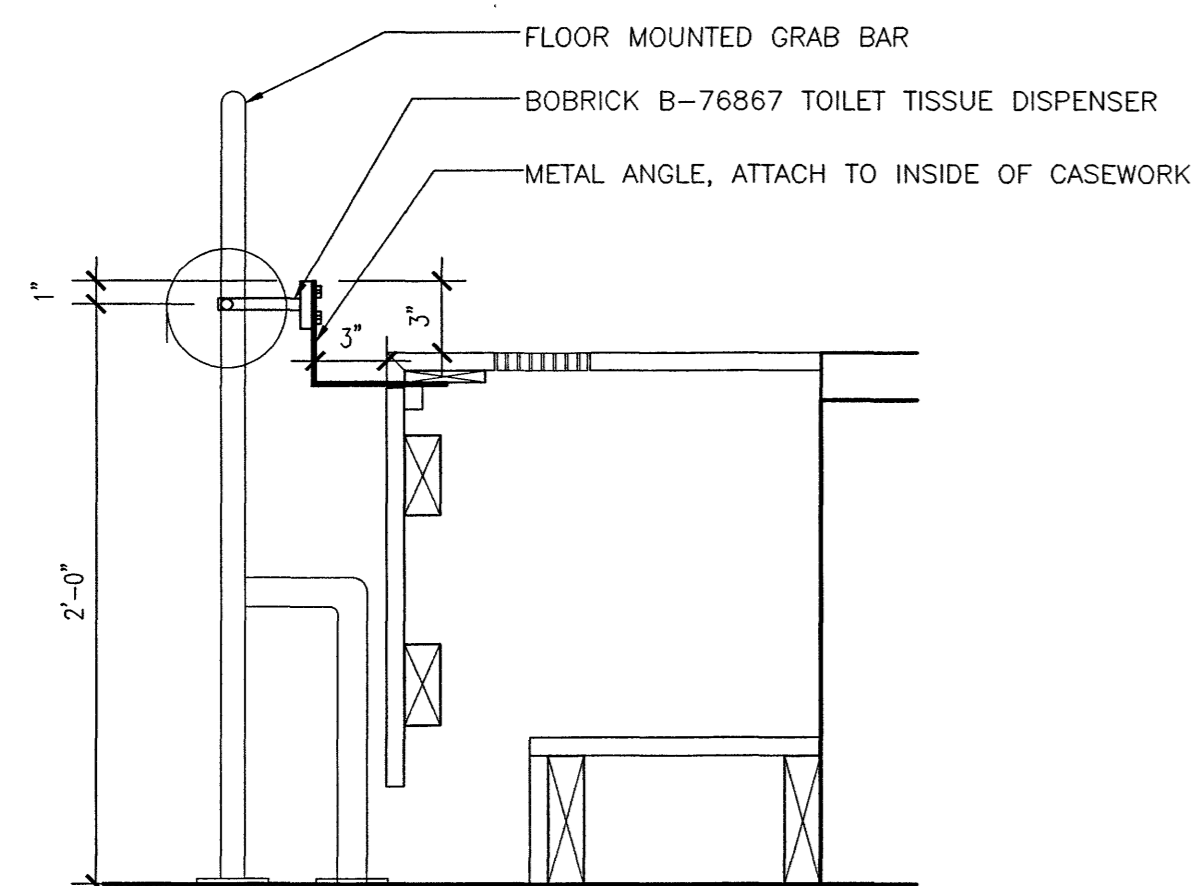
STARR RAILING ELEVATION 7



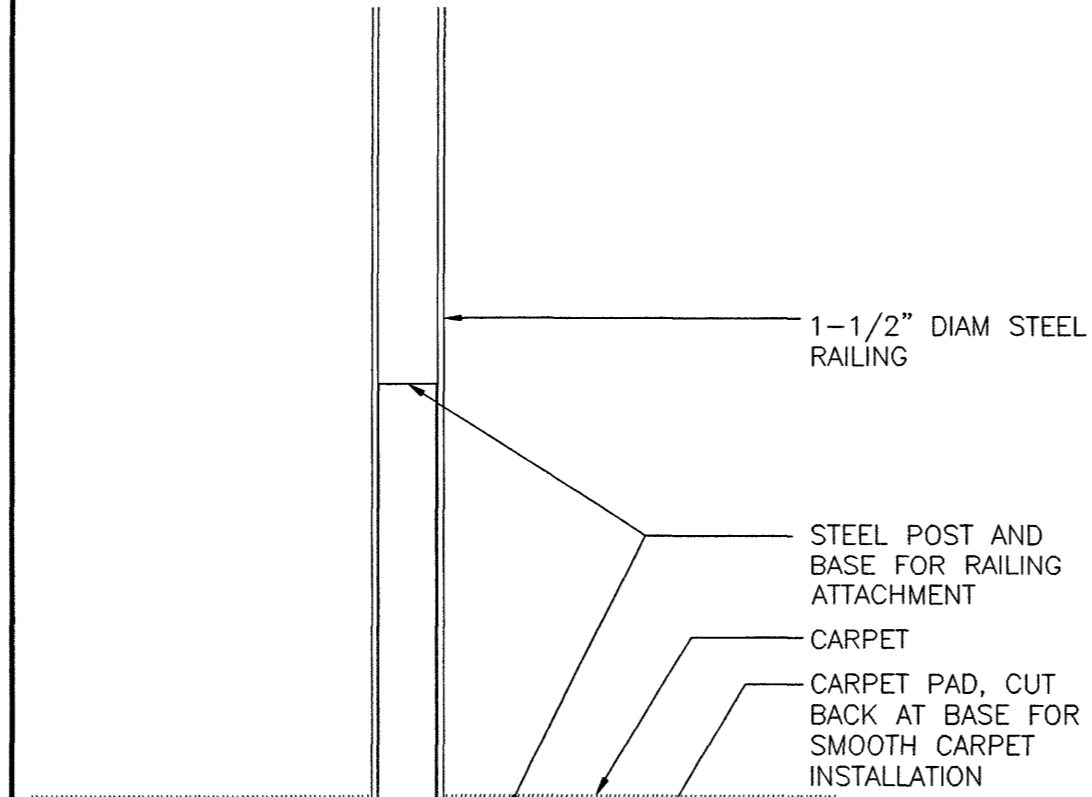
STARR RAILING ELEVATION 6



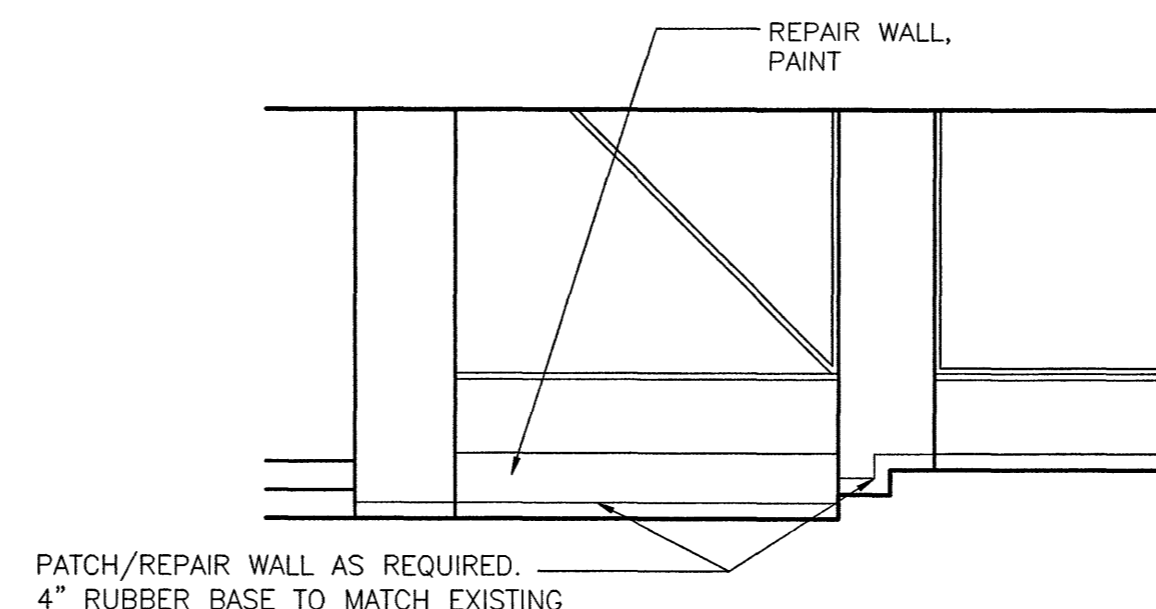
STARR RAILING ELEVATION 5



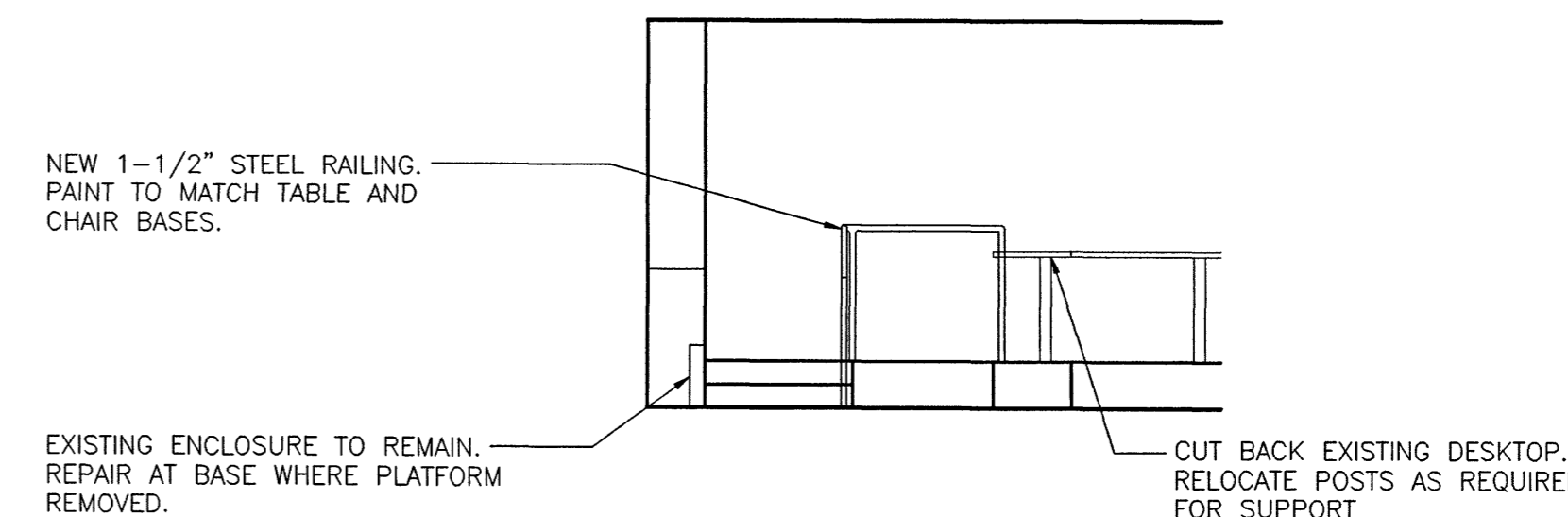
TOILET TISSUE DISPENSER DETAIL 12 SCALE: 1-1/2" = 1'-0"



RAILING DETAIL 11 SCALE: 3" = 1'-0"



LAND ELEVATION 10



LAND RAILING ELEVATION 9