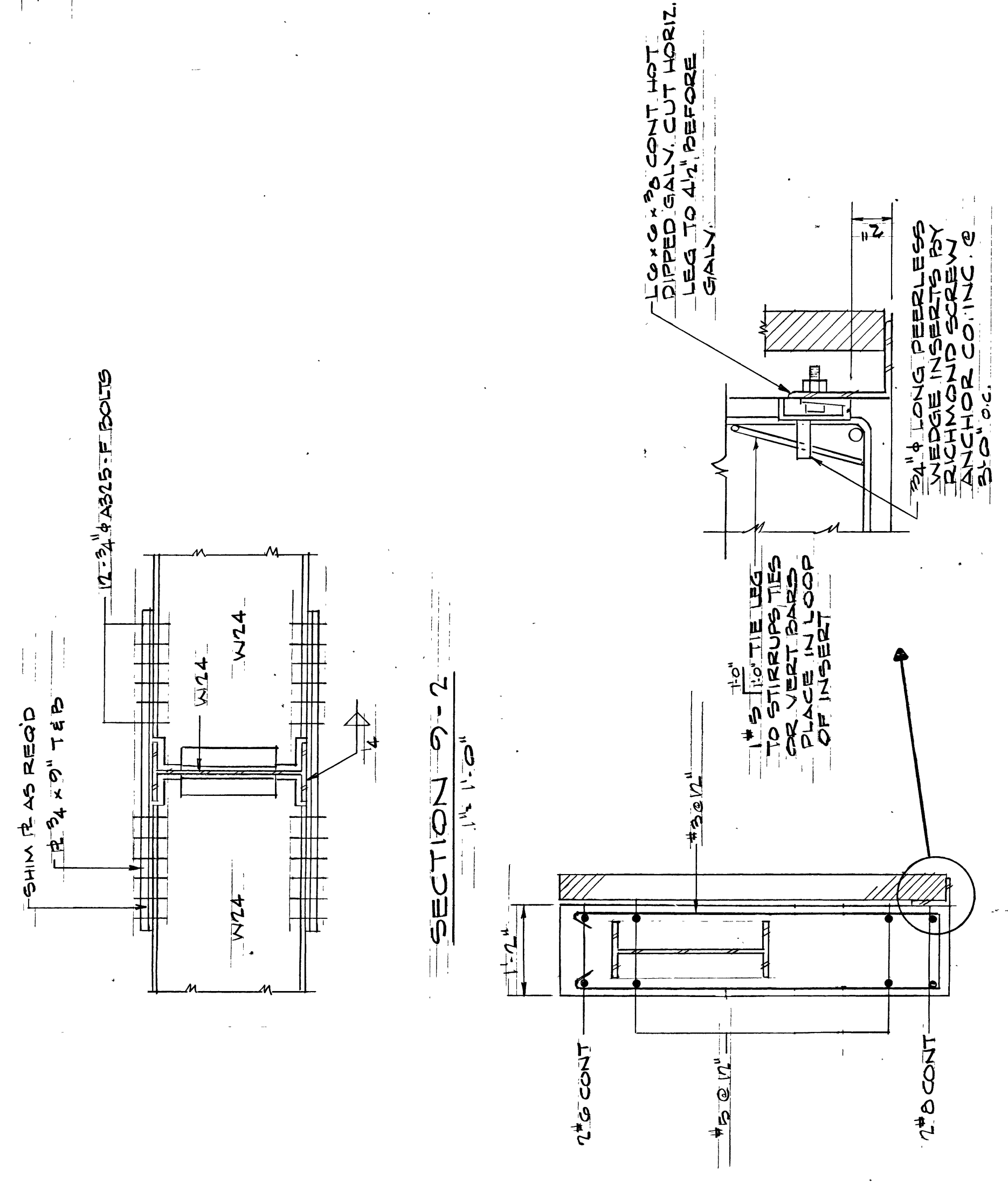
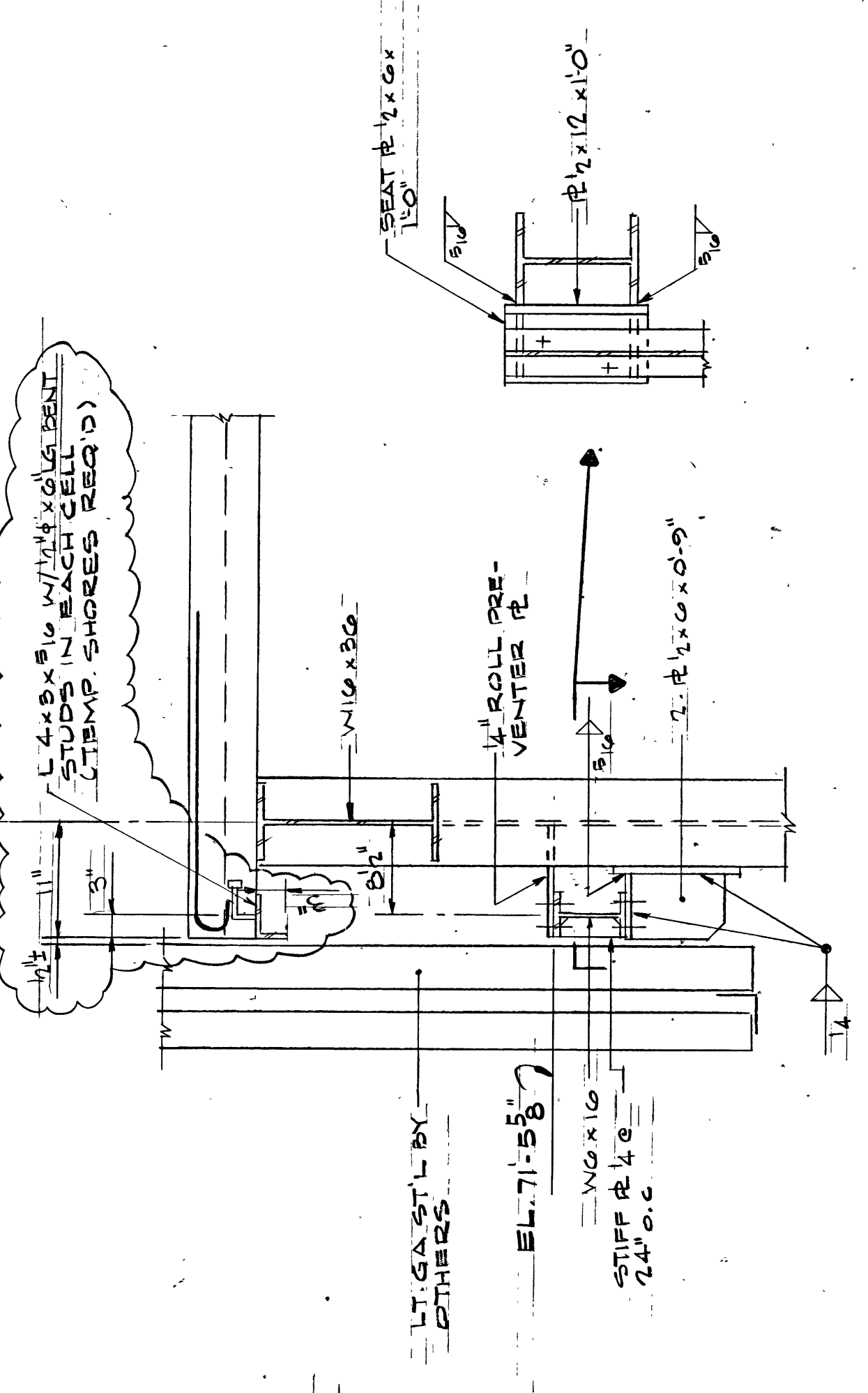


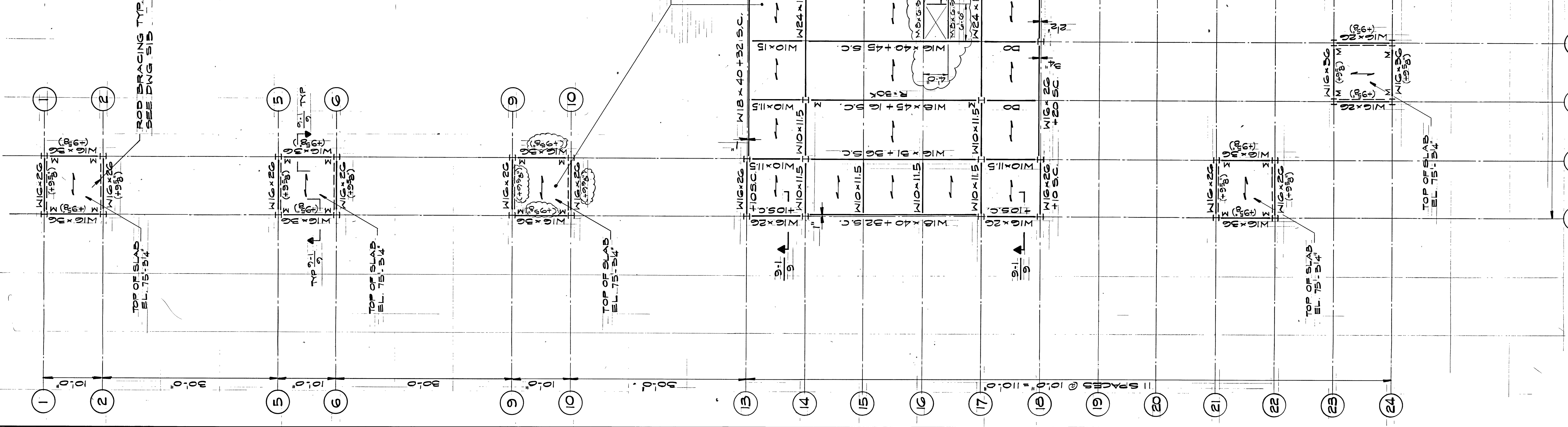
NOTES:
 1. SEE TYPICAL DETAILS AND GENERAL NOTES FOR DETAILS.
 2. SEE DRAWING 9-1 FOR DETAILS OF MONITOR ROOF.
 3. FOR STEEL DECK DETAILS SEE DRAWING 9-2.
 4. ALL STEEL MEMBERS TO BE GALVANNEED.
 5. CURVED PARTS OF MEMBERS SHALL DEVELOPE THE FULL BENDING CAPACITY OF THE MEMBER.



SECTION 9-3
 NO SCALE



SECTION 9-1
 TYPICAL SPANDEL AT MONITOR ROOF



PENTHOUSE ROOF FRAMING
 TOP OF STEEL @ EL. 75'-5 1/4" UNLESS NOTED (+) OR (-)