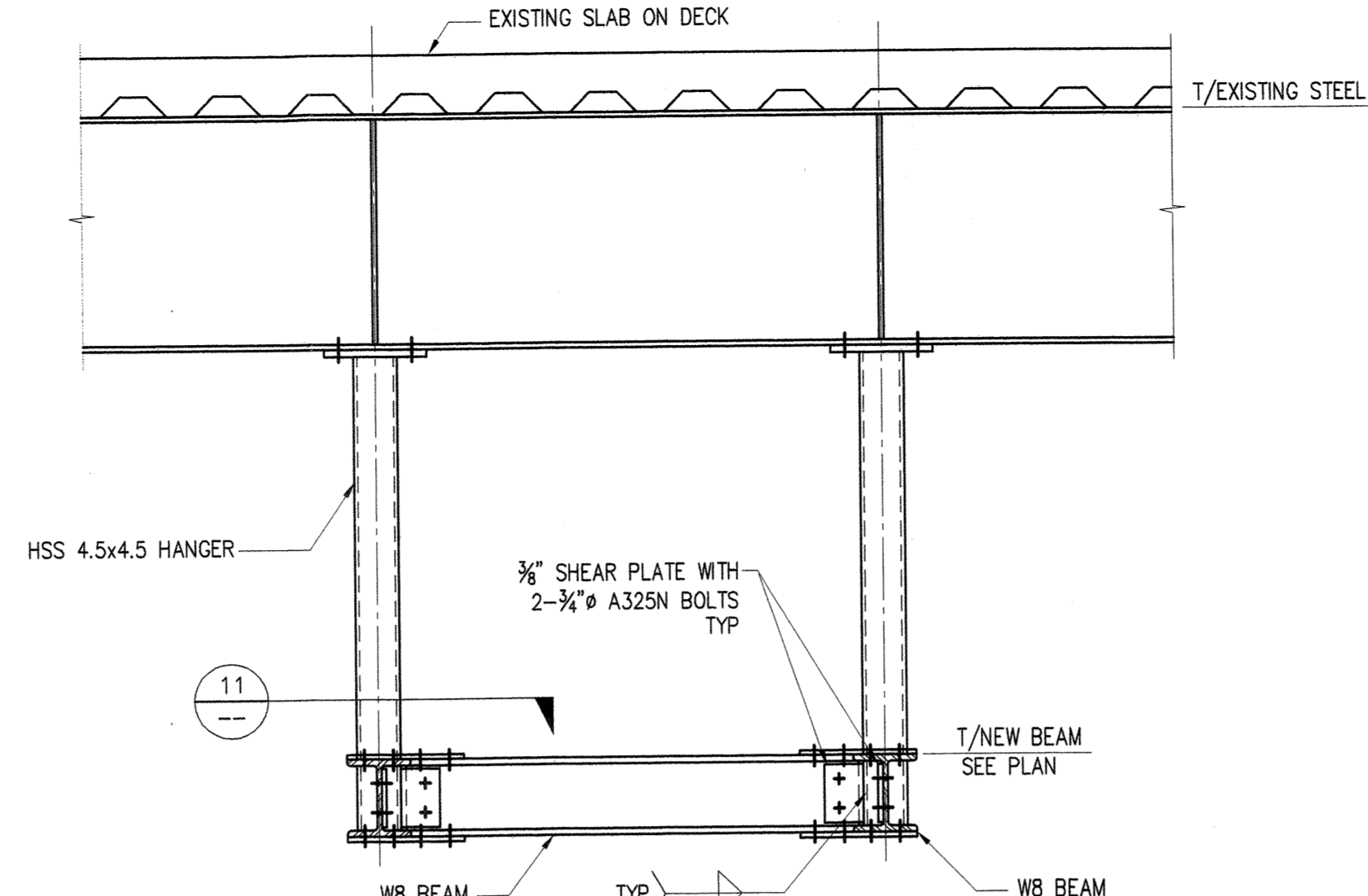
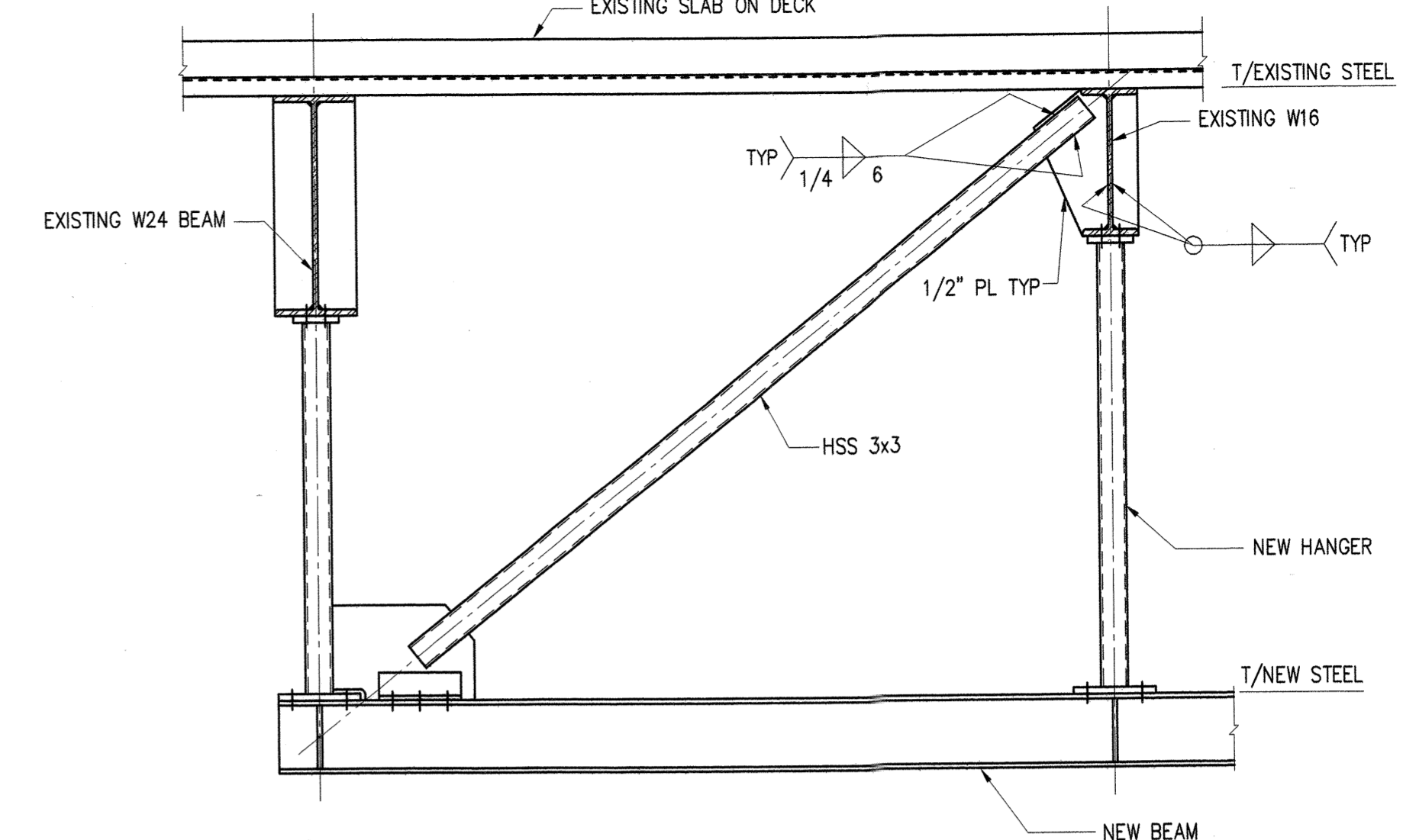


1 TYP HANGER CONN DETAILS
SCALE : 1" = 1'-0"



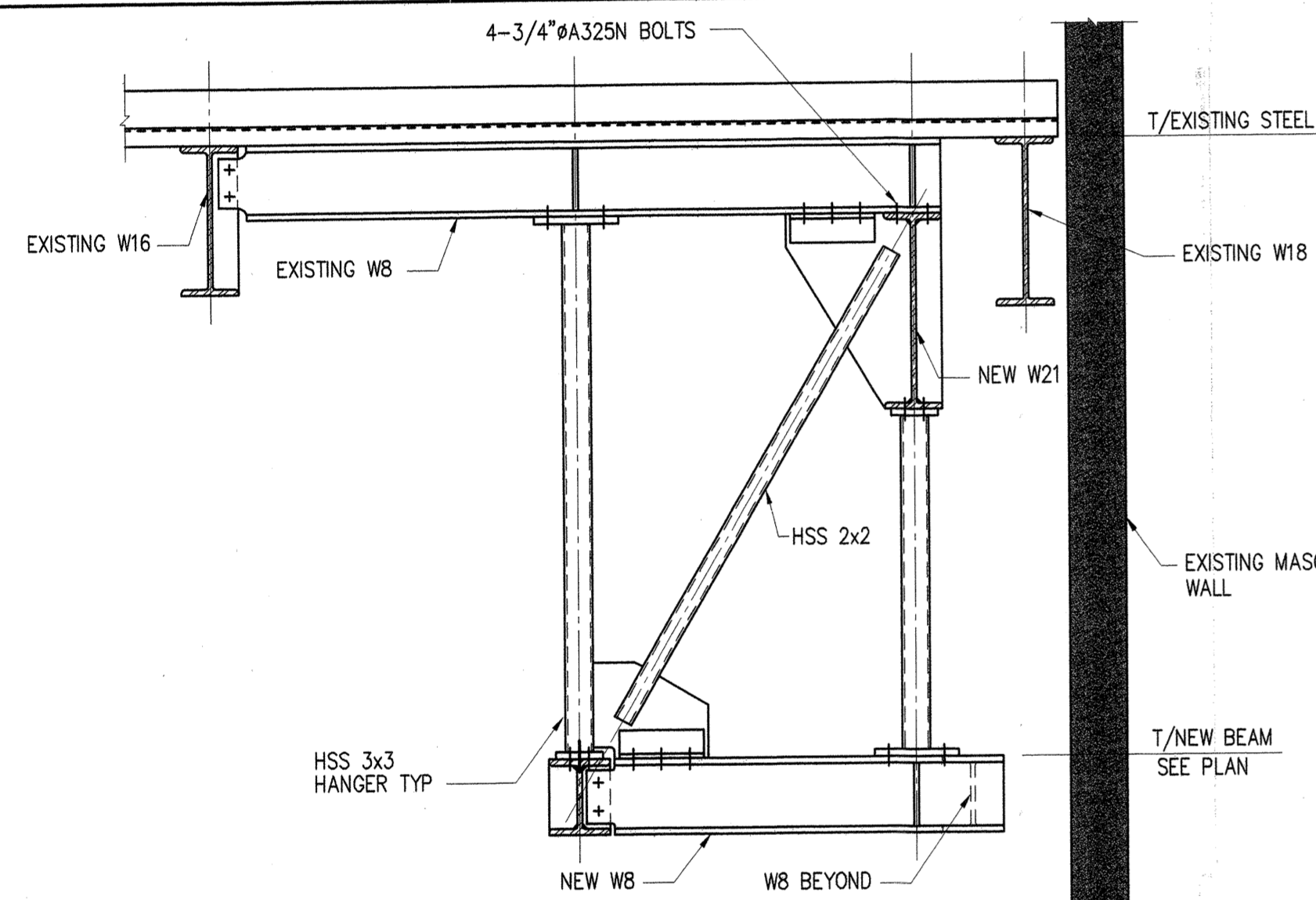
2 SECTION
SCALE : 3/4" = 1'-0"

NOTE: SEE SECTION 1 FOR INFO NOT SHOWN



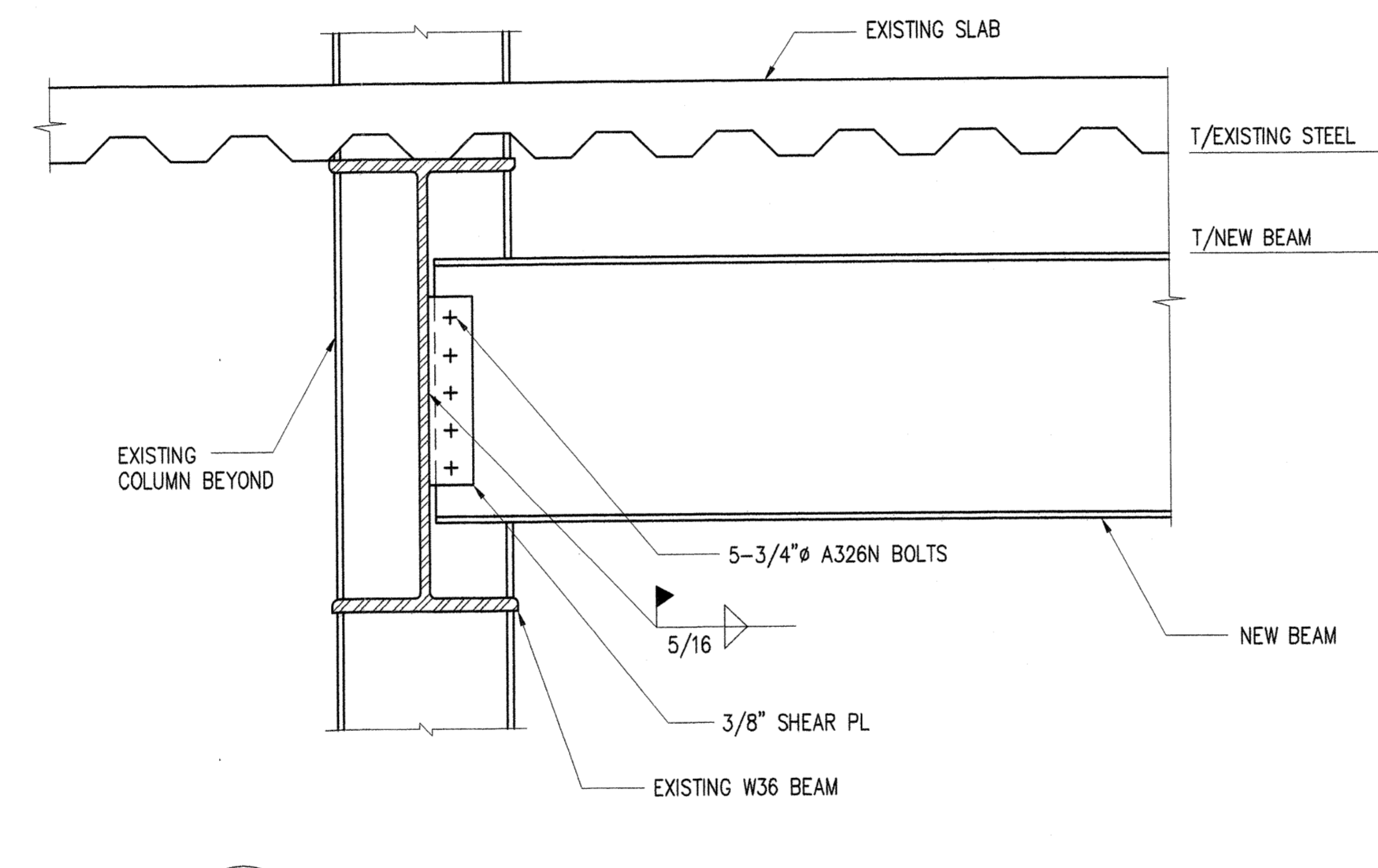
3 SECTION
SCALE : 3/4" = 1'-0"

NOTE: SEE SECTIONS 1, 9 & 10 FOR INFO NOT SHOWN

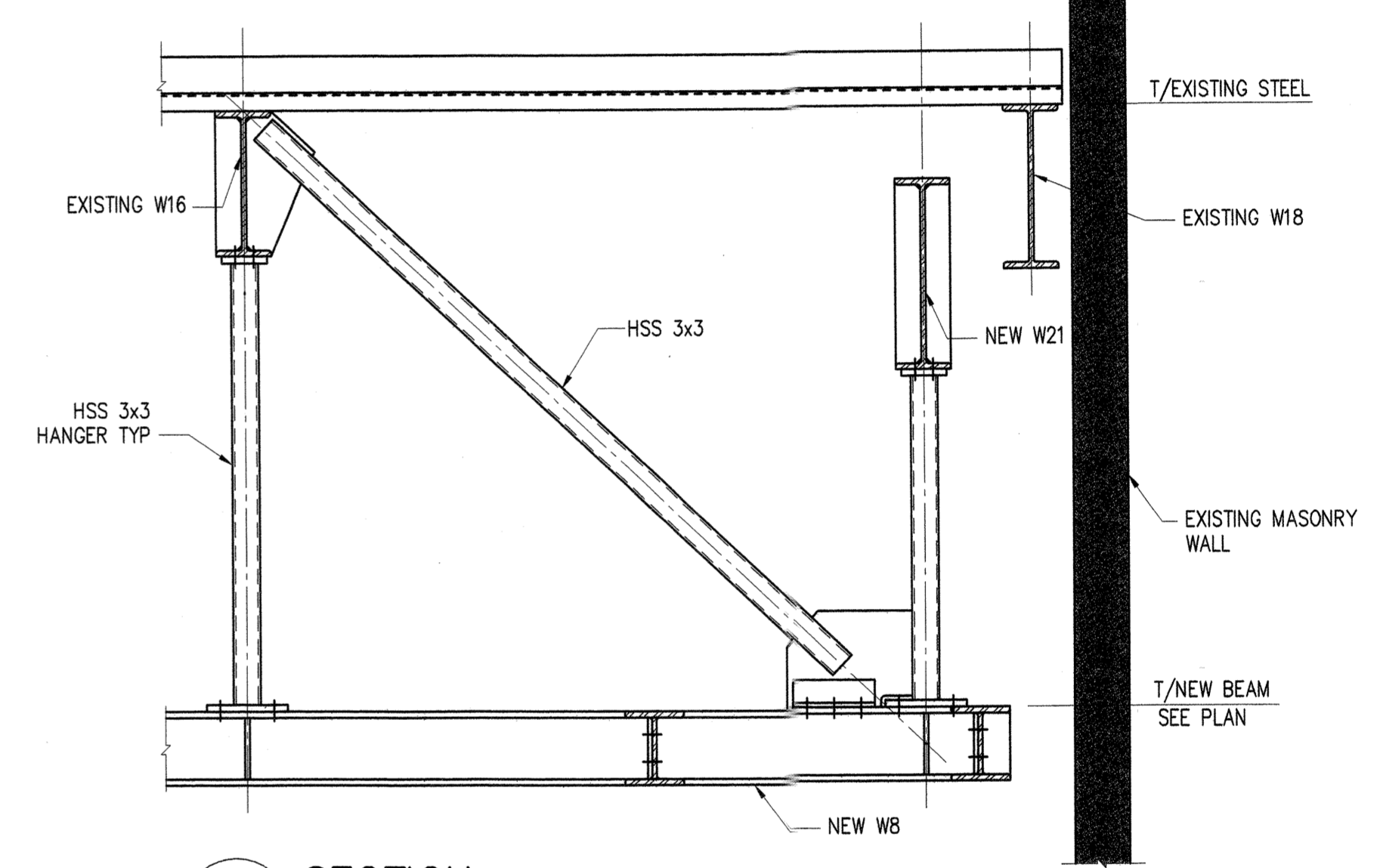


4 SECTION
SCALE : 3/4" = 1'-0"

NOTE: SEE SECTIONS 1, 9 & 10 FOR INFO NOT SHOWN

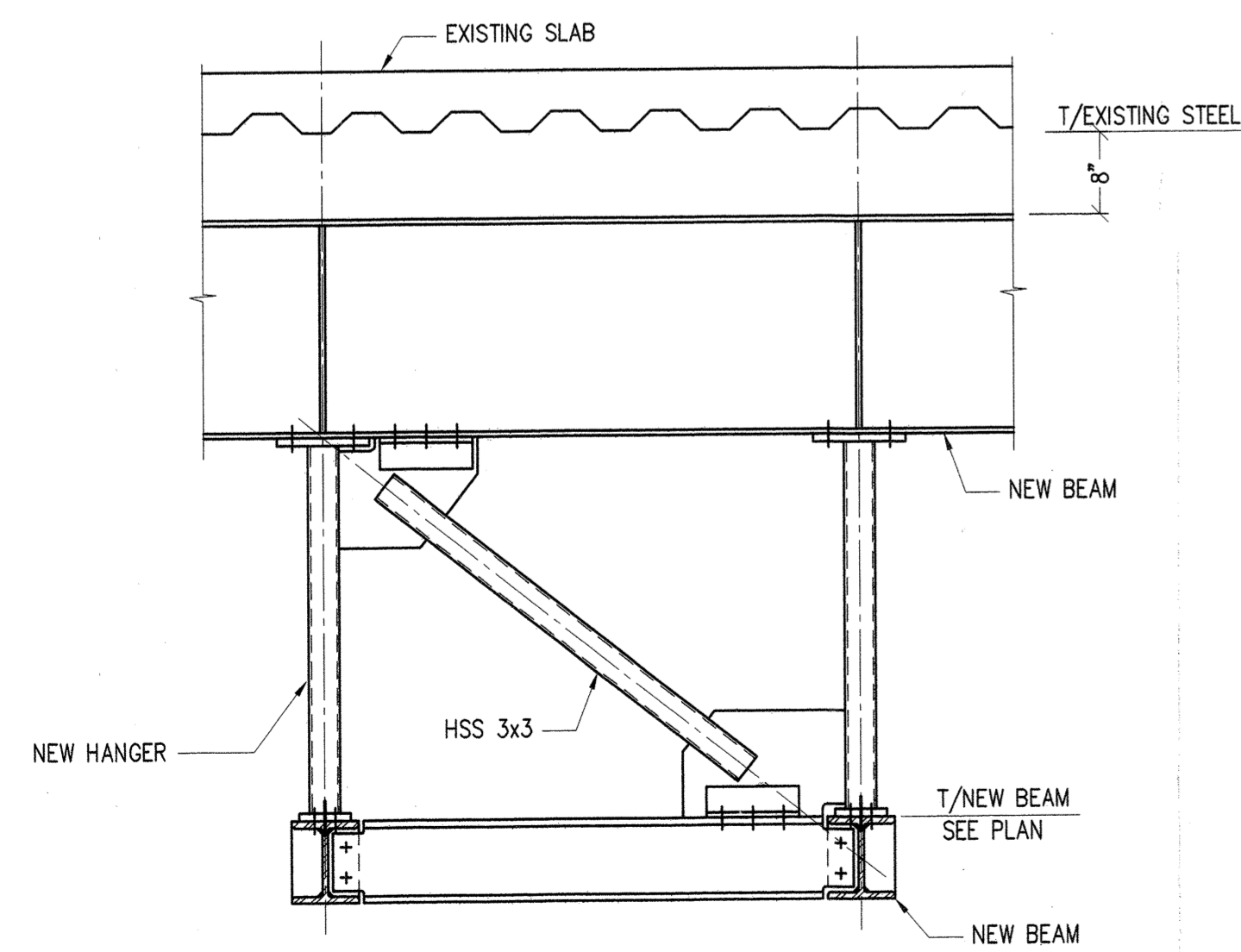


5 SECTION
SCALE : 1" = 1'-0"



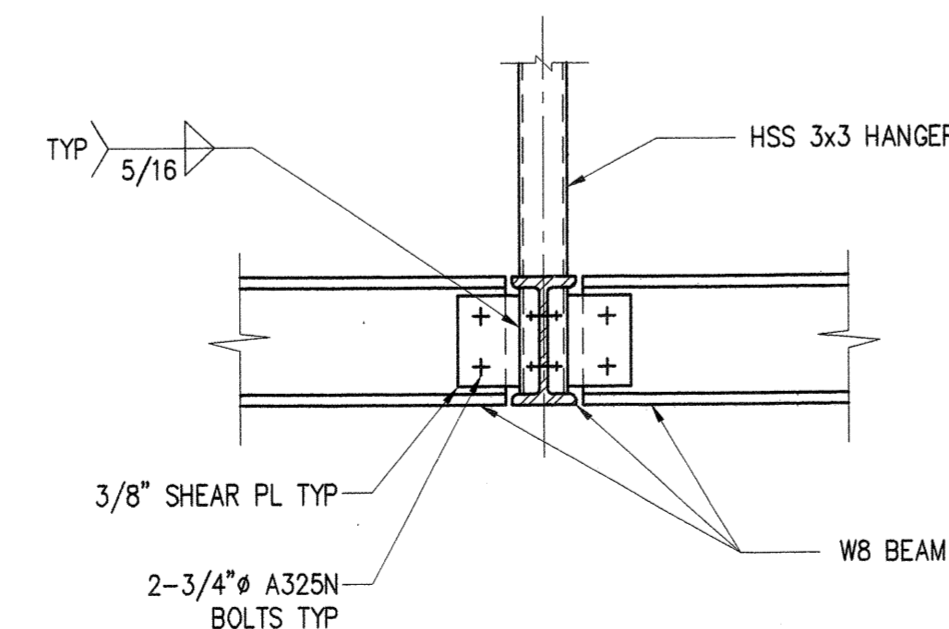
6 SECTION
SCALE : 3/4" = 1'-0"

NOTE: SEE SECTIONS 1, 9 & 10 FOR INFO NOT SHOWN

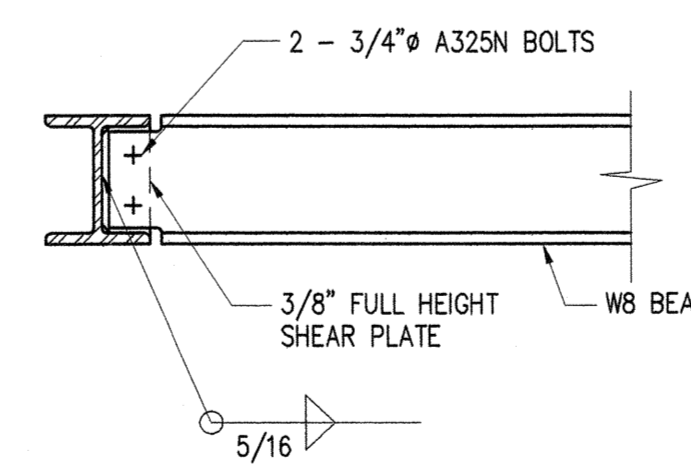


7 SECTION
SCALE : 3/4" = 1'-0"

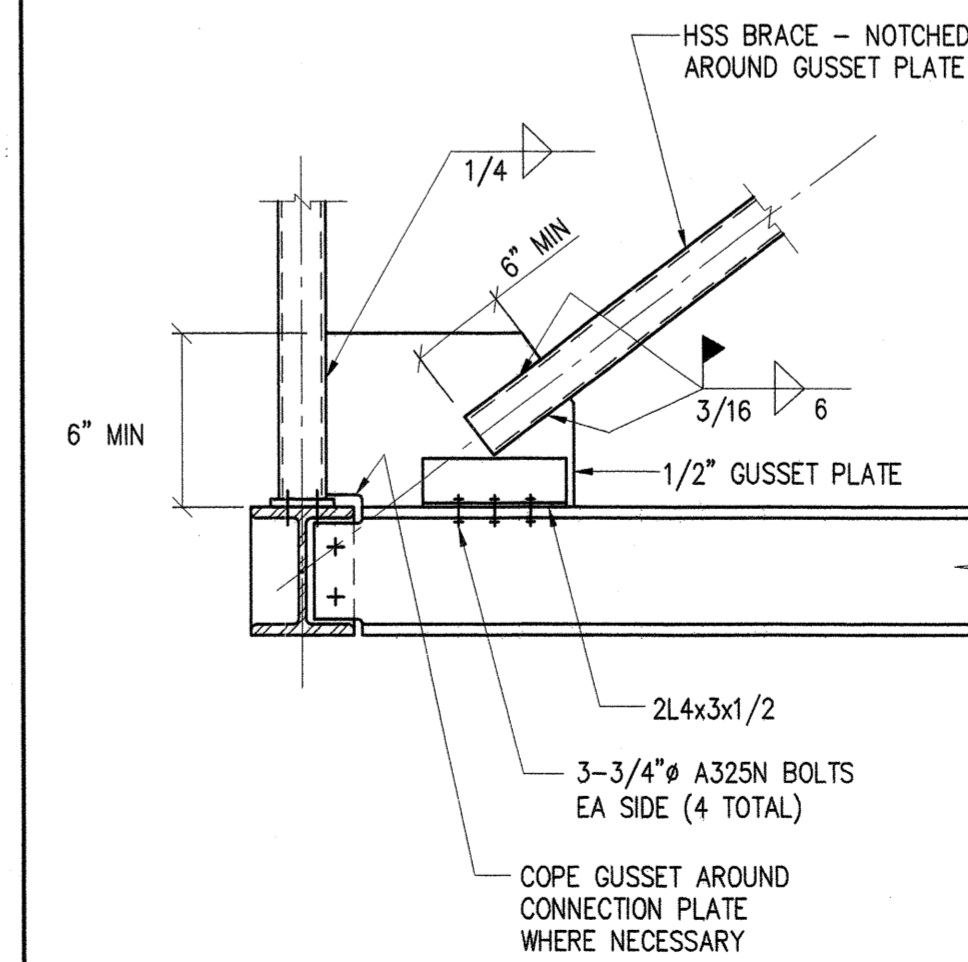
NOTE: SEE SECTIONS 1, 9 & 10 FOR INFO NOT SHOWN



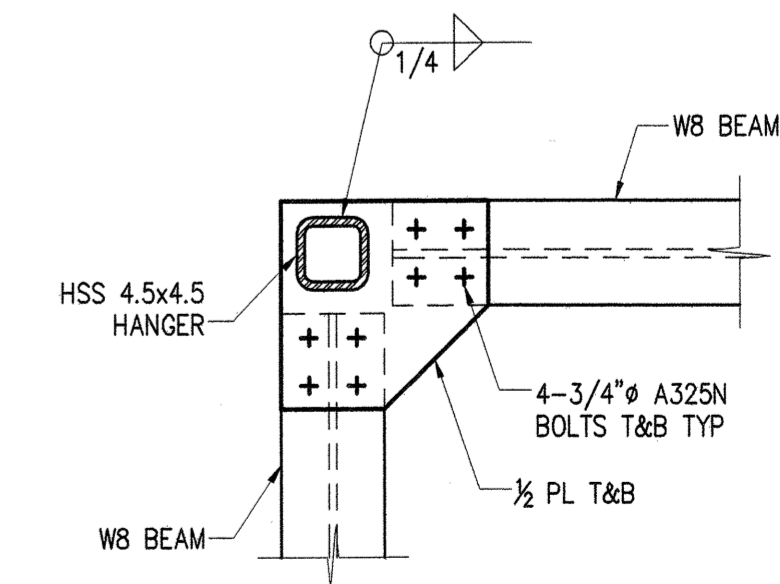
8 SECTION
SCALE : 1" = 1'-0"



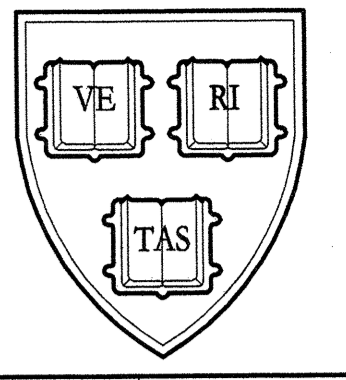
9 TYPICAL W8 BEAM SHEAR CONNECTION
SCALE : 1" = 1'-0"



10 TYPICAL BRACE CONNECTION
SCALE : 1" = 1'-0"



11 SECTION
SCALE : 1" = 1'-0"



ALLIED CONSULTANTS
RICHMOND SO ENGINEERS
SCHIRMER ENGINEERING
COLLECTIVE WISDOM CORPORATION

T: 978.443.7888
T: 617.923.4800
T: 508.872.3033
T: 781.641.7732

A.R.T. BLACK BOX THEATRE AT 2-4 ARROW STREET, CAMBRIDGE MA
HARVARD REAL ESTATE SERVICES / AMERICAN REPERTORY THEATRE

MARYANN THOMPSON ARCHITECTS
14 HILLSIDE AVENUE
CAMBRIDGE, MA 02140
T: 617.461.4144
F: 617.461.5844



SET	DATE

CURRENT ISSUE:
SET DATE
RECORD DRAWINGS 04.30.05
DRAWING TITLE:
STRUCTURAL SECTIONS

S2.0