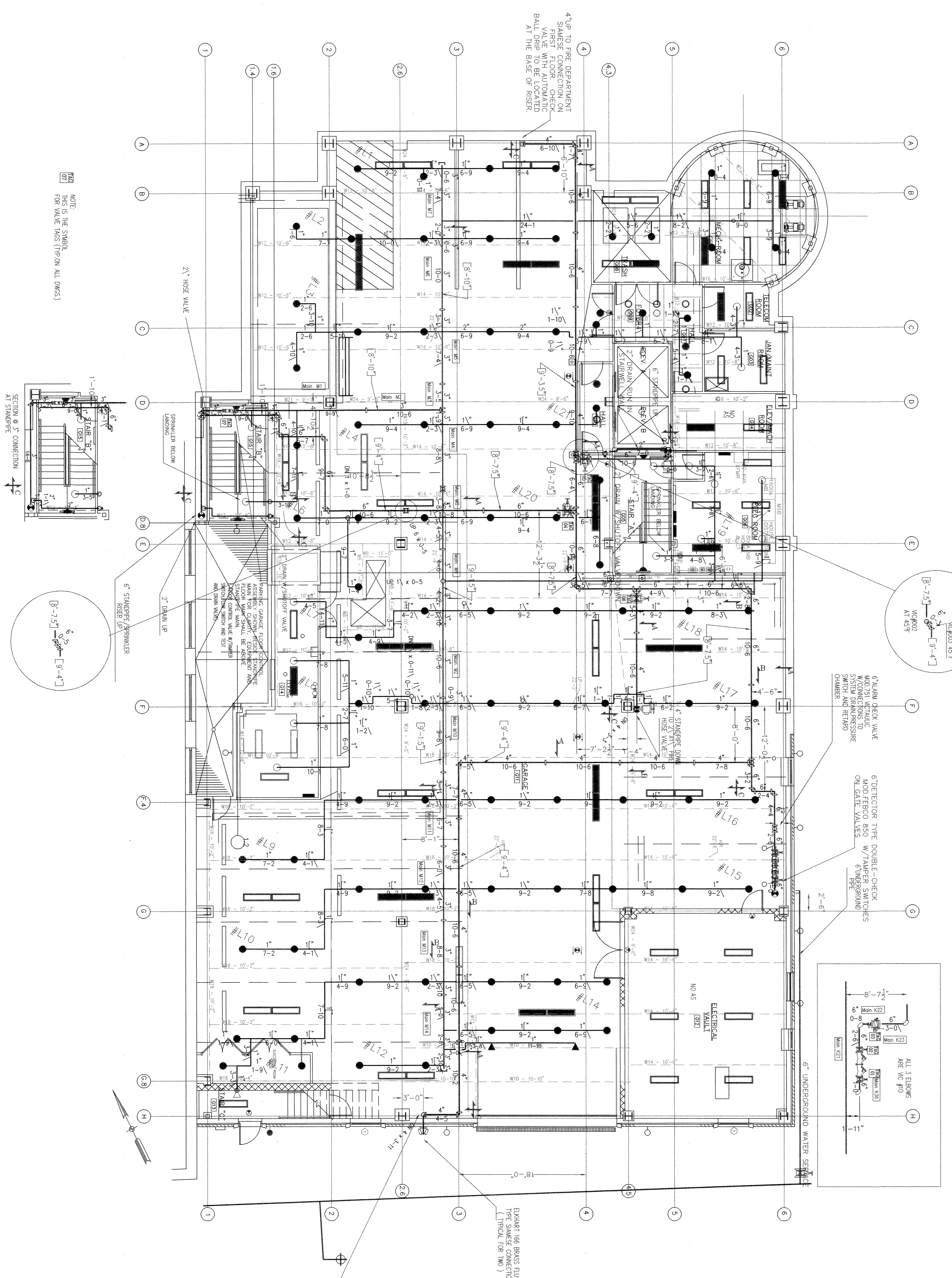
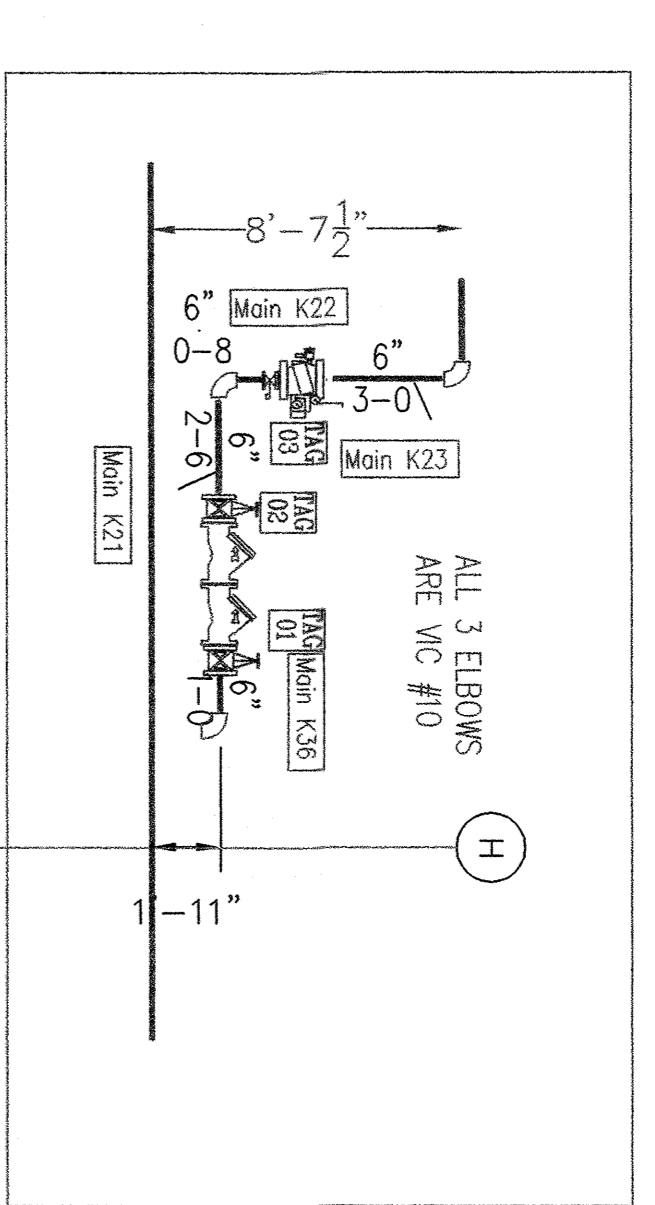
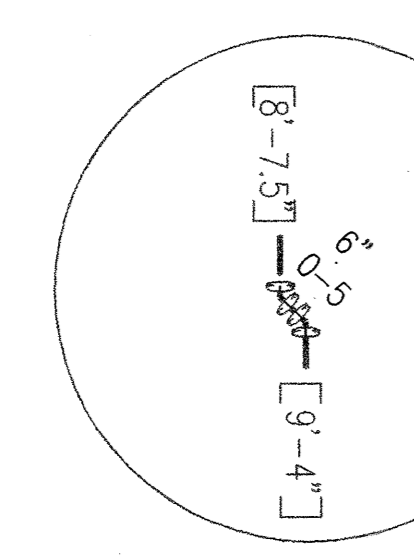
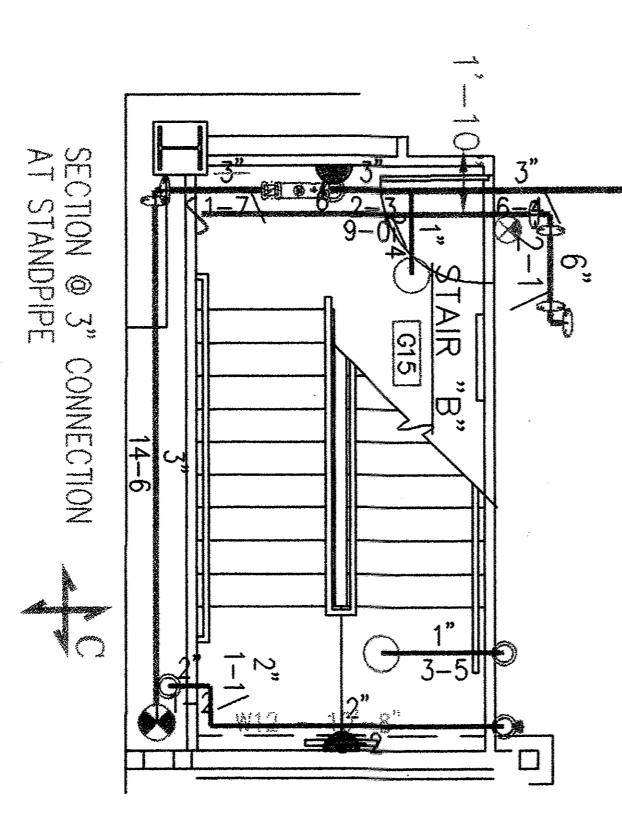


MDALY
A J. DALY & SONS, INC.
AN XEROX COMPANY

M. J. DALY & SONS, INC.
89 YORK AVENUE
RANDOLPH, MASSACHUSETTS



NOTE:
THIS IS THE SYMBOL
FOR VALVE TABS (TYPON ALL DIMS.)



General Notes

- All Pipe Locations are to be Field Measured Prior to Installation and Installation by Sprinkler Contractor.
- All Installation Shows are Center to Center.
- Rise Temperature Shows are to be Field Located Where Required.
- All Pipes and Fittings are to be Installed per MFA #25.
- Fittings are to be ULL Listed and P&H Approved.

Symbol	Description	Quantity
(Symbol)	Hydraulic Reference Point	1
(Symbol)	6\"/>	

Symbol	Description	Quantity
(Symbol)	6\"/>	

Symbol	Description	Quantity
(Symbol)	6\"/>	

NOTES

- PIPE 1\"/>

AS-BUILT

RECEIVED
APR 20 2005
A.J. MARTINI, INC.

Job: ZERO ARROW STREET
CAMBRIDGE, MA

Contractor: A.J. MARTINI, INC.
5 LOWELL STREET
WINCHESTER, MA 01890

Scale: 1/8\"/>